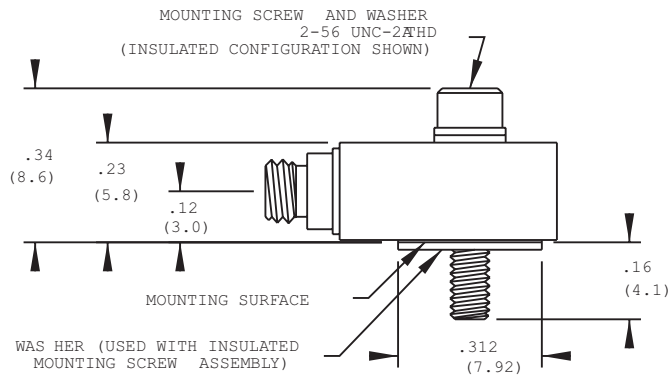
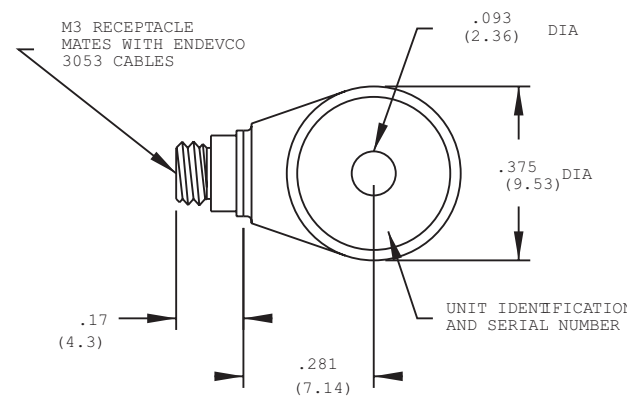


# Piezoelectric accelerometer

## Model 2220E



STANDARD TOLERANCE	
INCHES	(MILLIMETERS)
.XX = +/- .02	(.X = +/- .5)
.XXX = +/- .010	(.XX = +/- .25)



### Key features

- High temperature (260°C)
- Miniature design
- 360° cable orientation
- Hermetically sealed
- Small-motor testing, APU's, hydraulic actuators

### Description

The Endevco® model 2220E is a miniature piezoelectric accelerometer designed specifically for high temperature vibration measurement on mini-structures and small objects. The unit is hermetically sealed and ideal for use in extreme environments. Its light weight (3.1 gm) effectively eliminates mass loading. The accelerometer is a self-generating device that requires no external power source for operation.

Model 2220E features Endevco's Piezite® type P-8 crystal element operating in annular shear mode. This configuration exhibits excellent output sensitivity stability over time. Signal ground is connected to the outer case of the unit. When used with the supplied isolated mounting screw assembly, the accelerometer is electrically isolated from ground. A specially designed, low-noise coaxial cable is supplied for error-free operation. The transducer utilizes a centrally located thru bolt, allowing 360° cable orientation. The unit may also be mounted with an adhesive.

## Piezoelectric accelerometer | Model 2220E

The following performance specifications conform to ISA-RP-37.2 (1964) and are typical values, referenced at +75°F (+24°C), 4 mA and 100 Hz, unless otherwise noted. Calibration data, traceable to National Institute of Standards and Technology (NIST), is supplied

Specifications		
Dynamic characteristics	Units	
Charge sensitivity		
Typical	pC/g	3.0
Minimum	pC/g	2.0
Frequency response		See typical amplitude response
Resonance frequency	kHz	50
Amplitude response [1]		
±5%	Hz	1 to 10,000
±1 dB	Hz	1 to 12,000
Temperature response		See typical curve
Transverse sensitivity	%	≤5
Amplitude linearity		
Per 500g, 0 to 5,000 g	%	1
Electrical characteristics		
Output polarity		Acceleration directed into the base of the unit produces positive output
Resistance		≥20
Resistance at +500°F (+260°C)	GΩ	≥25
Capacitance	MΩ	770
Grounding	pF	Signal return connected to case. Case isolated from mounting surface by insulated screw assembly
Environmental characteristics		
Temperature range		-67°F to +500°F (-55°C to +260°C)
Humidity		Hermetically sealed
Sinusoidal vibration limit	g pk	1,000
Shock limit [2]	g pk	5,000
Base strain sensitivity	equiv. g/μ strain	0.05
Physical characteristics		
Dimensions		See outline drawing
Weight	gm (oz)	3.1 (0.11)
Case material		304L stainless steel
Connector		M3 x 0.5 6H thread, mates with Endevco 3053 cables
Mounting torque	lbf-in (Nm)	5 (0.57)
Calibration data		
Supplied:	pC/g	
Charge sensitivity	pF	
Capacitance	%	
Maximum transverse sensitivity	%	20 Hz to 10,000 Hz
Charge frequency response	dB	10 to 50 kHz

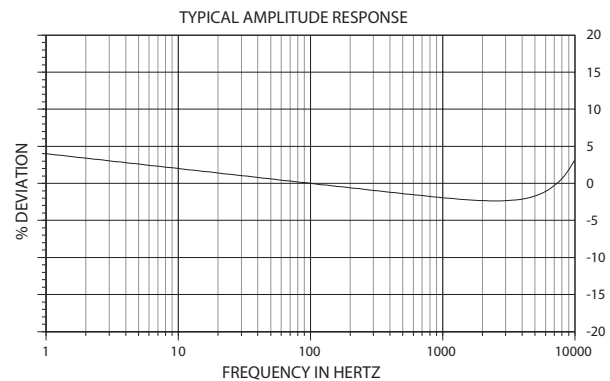
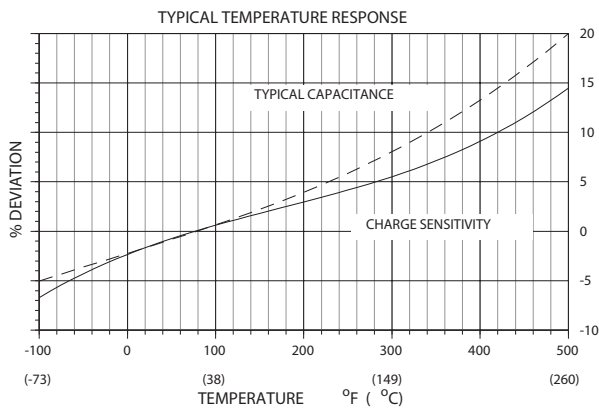
# Piezoelectric accelerometer | Model 2220E

Accessories			
Product	Description	2220E	2220E-R
EH96	Mounting screw	Included	Included
EHM178	Wrench	Included	Optional
3053V-120	Cable assembly, 10ft	Included	Optional
12746	Insulated mounting screw assembly	Included	Included
EHW95	Washer	Included	Included
3090DV-XXX	Cable assembly, extension (10-32/10-32)	Optional	Optional
EJ34	Cable adapter	Optional	Optional
2771C	In-line charge converter	Optional	Optional

Options	
Options	Description
M4	Connector: 6-40 UNF-2A thread, ships with 3091F-120 cable

## Notes

1. Low-end response of the transducer is a function of its associated electronics.
2. Short duration shock pulses, such as those generated by metal-to-metal impacts, may excite transducer resonance and cause linearity errors. Send for TP290 for more details.
3. Maintain high levels of precision and accuracy using Endevco's factory calibration services. Call Endevco's inside sales force at 866-ENDEVCO for recommended intervals, pricing and turn-around time for these services as well as for quotations on our standard products.



[www.endevco.com](http://www.endevco.com) | Tel: +1 (866) ENDEVCO [+1 (866) 363-3826] | 10869 NC-903, Halifax, NC 27839 USA

© 2020 PCB Piezotronics of North Carolina, Inc. (doing business as Endevco). In the interest of constant product improvement, specifications are subject to change without notice. PCB®, ICP®, Swiveler®, Modally Tuned®, and IMI® with associated logo are registered trademarks of PCB Piezotronics, Inc. in the United States. ICP® is a registered trademark of PCB Piezotronics Europe GmbH in Germany and other countries. UHT-12TM is a trademark of PCB Piezotronics, Inc. SensorLine<sup>SM</sup> is a servicemark of PCB Piezotronics, Inc. MTS®, MTS Sensors logo, Temposonics®, SWIFT®, R Series V®, TempoLink®, and RefineMe® are registered trademarks of MTS Systems Corporation in the United States. These marks may be registered or otherwise protected in other countries. Endevco® is a registered trademark of PCB Piezotronics of North Carolina, Inc. d/b/a Endevco in the United States.

030920



Endevco is an assumed name of PCB Piezotronics of North Carolina, Inc. and is a designer and manufacturer of sensors, instrumentation, and cables for vibration, shock and pressure measurements, known for innovation of sensor technology for the automotive, aerospace and military markets. Visit [www.endevco.com](http://www.endevco.com) for more information. PCB Piezotronics of North Carolina, Inc. (doing business as Endevco) is a wholly owned subsidiary of PCB Piezotronics, Inc. PCB Piezotronics, Inc. is a designer and manufacturer of microphones, vibration, pressure, force, torque, load, and strain sensors, as well as the pioneer of ICP® technology used by design engineers and predictive maintenance professionals worldwide for test, measurement, monitoring, and control requirements in automotive, aerospace, industrial, R&D, military, educational, commercial, OEM applications, and more. With a worldwide customer support team, 24-hour SensorLine<sup>SM</sup>, and a global distribution network, PCB® is committed to Total Customer Satisfaction. Visit [www.pcb.com](http://www.pcb.com) for more information. PCB Piezotronics, Inc. is a wholly owned subsidiary of MTS Systems Corporation. Additional information on MTS can be found at [www.mts.com](http://www.mts.com).