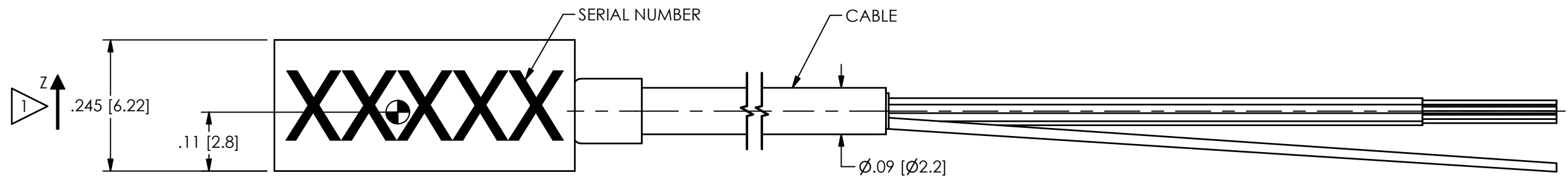
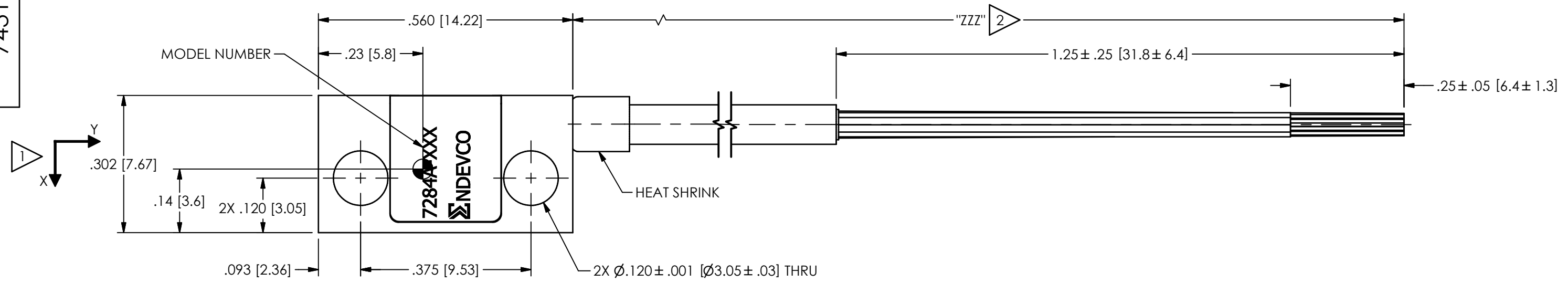


PCB Piezotronics Inc. claims proprietary rights in the information disclosed hereon. Neither it nor any reproduction thereof will be disclosed to others without the written consent of PCB Piezotronics Inc.

74313

REVISIONS		
REV	DESCRIPTION	DIN
B	UPDATED DELTA NOTE #2 & TITLE BLOCK	53937



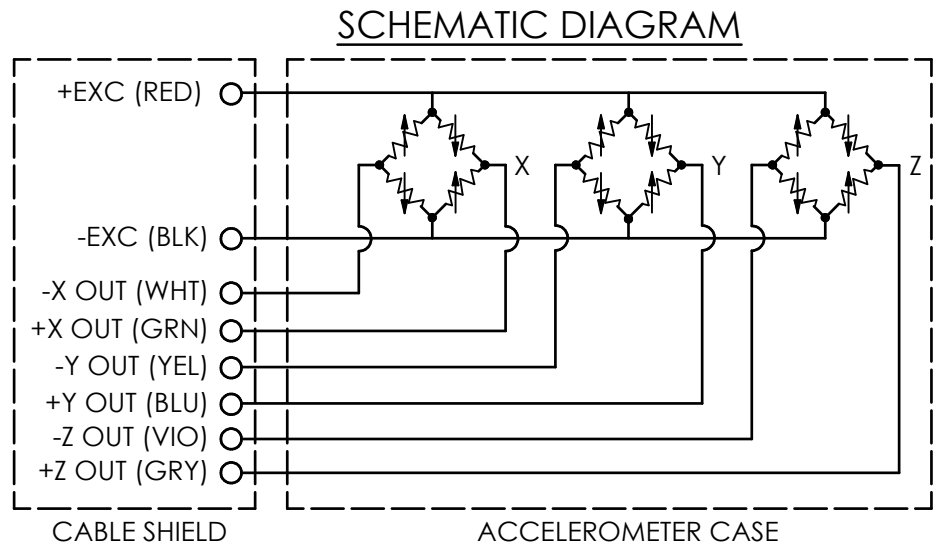
2 7284A - XXX - E - ZZZ

CABLE LENGTH IN INCHES (I.E. 7284A-XXX-E-120 HAS A CABLE LENGTH OF 120 INCHES). IF NO DASH NUMBER IS SPECIFIED THE DEFAULT IS 48 INCHES  
 FOR LENGTHS ≤ 10ft SPECIFY IN 1ft INCREMENTS (60", 72", 84"....120").  
 FOR LENGTHS > 10ft SPECIFY IN 5ft INCREMENTS (180", 240", 300", etc).

EXICITION VOLTAGE OPTION (OMIT DASH NUMBER FOR DEFAULT VOLTAGE OF 5VDC)

RANGE  
 -2K = 2000 g  
 -20K = 20000 g  
 -60K = 60000 g

BASE MODEL NUMBER



2 LENGTH WILL VARY IN FEET OR METERS DEPENDING ON THE MODEL

1 ACCELERATIONS IN THE POSITIVE DIRECTIONS OF THE MARKED COORDINATE SYSTEM WILL GIVE POSITIVE OUTPUTS FOR EACH CORRESPONDING AXIS

UNLESS OTHERWISE SPECIFIED TOLERANCES ARE:		DRAWN		CHECKED		ENGINEER		 <b>ENDEVCO</b> AN AMPHENOL COMPANY PCB PIEZOTRONICS OF NC, INC (DBA ENDEVCO) 10869 NC HIGHWAY 903, HALIFAX, NC 27839			
DIMENSIONS IN INCHES DECIMALS XX ±.03 XXX ±.010 ANGLES ± 2 DEGREES		DIMENSIONS IN MILLIMETERS [ IN BRACKETS ] DECIMALS X ±0.8 XX ±0.25 ANGLES ± 2 DEGREES		NJF	06/12/23	JDM	06/12/23		JKN	06/12/23	
CABLE TOLERANCES IN ENGLISH 1' ≤ LENGTH < 1' = +1"/ - 0 1' ≤ LENGTH < 5' = +2"/ - 0 5' ≤ LENGTH < 100' = +6"/ - 0 100' ≤ LENGTH = +1' / - 0		CABLE TOLERANCES IN METRIC 2.54cm ≤ LENGTH < 30.5cm = +2.54cm / - 0 30.5cm ≤ LENGTH < 1.5m = +5.1cm / - 0 1.5m ≤ LENGTH < 30.5m = +15.2cm / - 0 30.5m ≤ LENGTH = +30.5cm / - 0		TITLE OUTLINE DRAWING 7284A SERIES ACCELEROMETER						CODE IDENT. NO. <b>8DN13</b>	DWG. NO. <b>74313</b>
FILLETS AND RADII .003 - .005		FILLETS AND RADII 0.07 - 0.13		SCALE: 4.5X		SHEET 1 of 1					