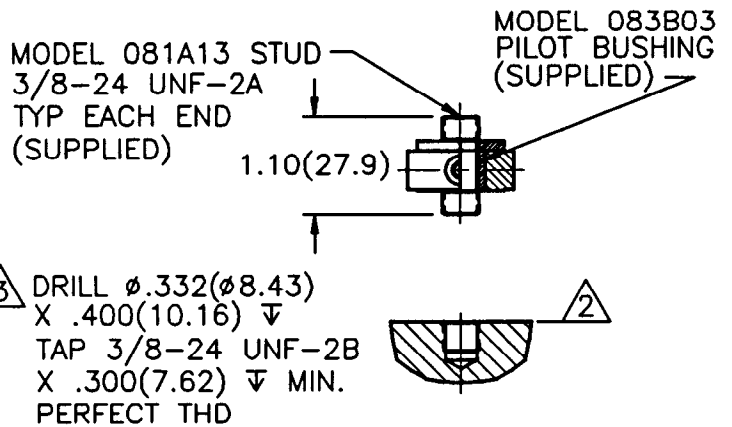
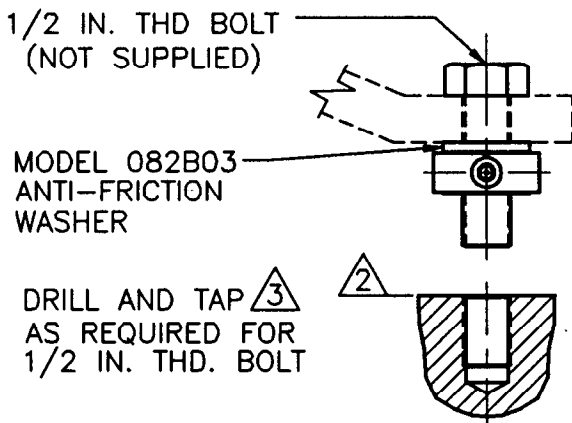
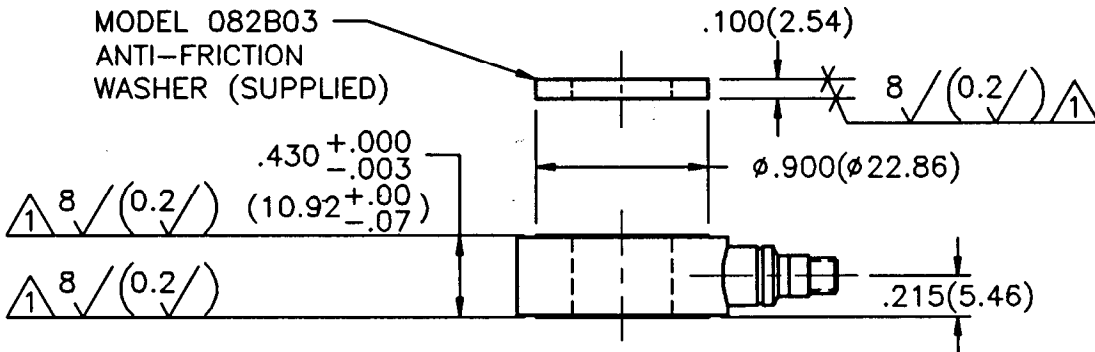
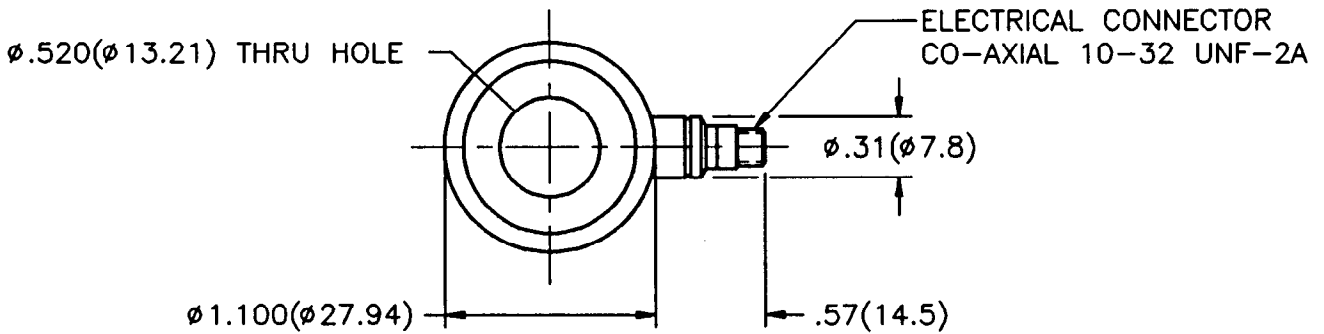


1195

APPLICATION		
NEXT ASS'Y	USED ON	VAR

REVISIONS				
REV	DESCRIPTION	ECN	DATE	APP'D



SCALE: .5X

TYP BOLT MOUNTING
INSTALLATION

SCALE: .5X

TYP STUD MOUNTING
INSTALLATION

4.) SEE MANUAL FOR PRELOAD INSTRUCTIONS.

- $\Delta 3$ DRILL PERPENDICULAR TO MOUNTING SURFACE WITHIN ± 1 DEGREE.
- $\Delta 2$ MOUNTING SURFACE UNDER FORCE RING MUST BE FLAT TO WITHIN $.001 (.03)$ WITH AT LEAST $63 \sqrt{(1.6)}$.
- $\Delta 1$ THESE SURFACES FLAT TO WITHIN $.001 (.03)$ TIR.

UNLESS SPECIFIED TOLERANCES		DRAWN	CHK'D	APP'D	TITLE	CODE IDENT. NO.	DWG. NO.
DIMENSIONS IN INCHES	DIMENSIONS IN MILLIMETERS (IN PARENTHESIS)	JAB	Jm	JAB	INSTALLATION DRAWING	52681	1195
DECIMALS XX $\pm .01$	DECIMALS X ± 0.3	5/16/94	5/16/94	5/16/94	MODEL 203B		
XXX $\pm .005$	XX ± 0.13				FORCE RING		
ANGLES ± 2 DEGREES	ANGLES ± 2 DEGREES						
FILLETS AND RADII $.003 - .005 (0.07 - 0.13)$							

PCB PIEZOTRONICS, INC.
 3425 WALDEN AVE. DEPEW, NEW YORK 14043
 PHONE: (716) 684-0001

SCALE: FULL SHEET 1 OF 1