

218-1110-90

APPLICATION

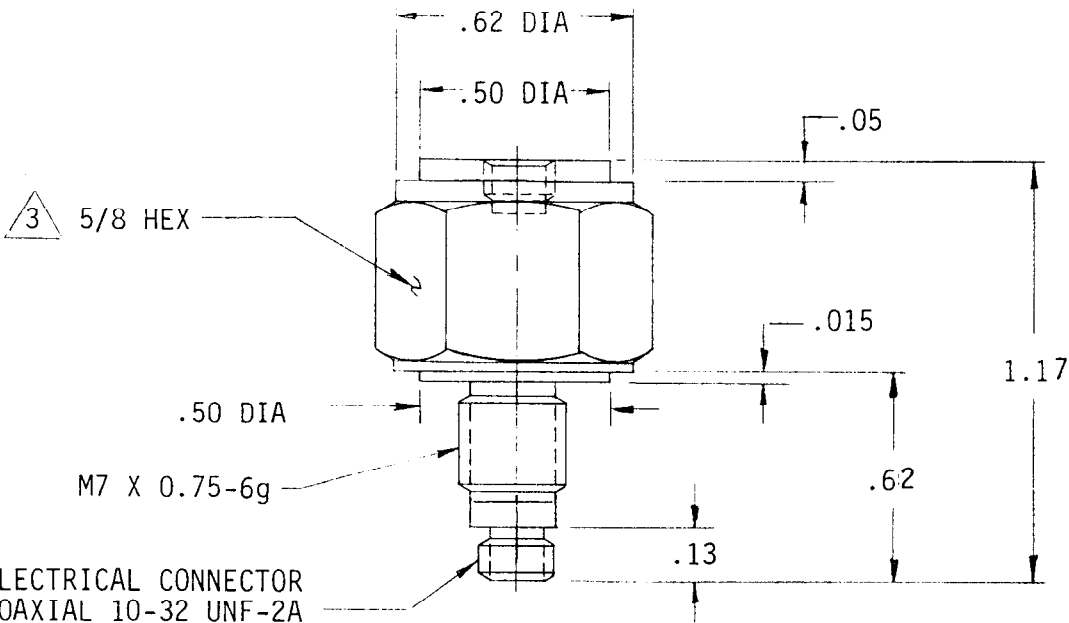
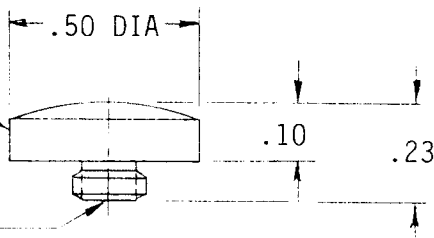
QTY.	NEXT ASSY.	USED ON	VAR

REVISIONS

SYM.	DESCRIPTION	EO	DATE	APP'D

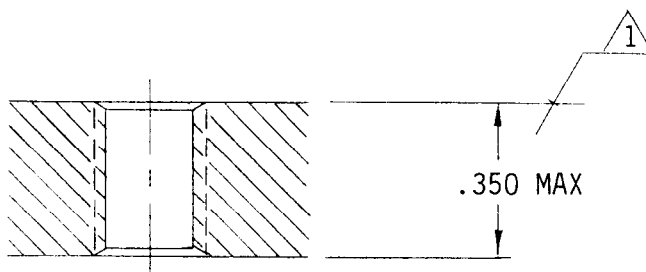
MOD 084A03  
IMPACT CAP

10-32 UNF-2A



ELECTRICAL CONNECTOR  
COAXIAL 10-32 UNF-2A

MOUNTING HOLE PREPARATION:  
DRILL "1/4" (.250 DIA)  $\triangle 2$   
THRU  
TAP M7 X 0.75-6H  
THRU



- $\triangle 3$  RECOMMENDED MOUNTING TORQUE OM 5/8 HEX 20-24 IN LBS.
- $\triangle 2$  DRILL PERPENDICULAR TO MOUNTING SURFACE TO WITHIN  $\pm 1^\circ$ .
- $\triangle 1$  MOUNTING SURFACE UNDER XDCR MUST BE FLAT WITHIN .001 TIR OVER A .500 DIA MIN WITH A  $63^\circ$

UNLESS OTHERWISE SPECIFIED: DIMENSIONS ARE IN INCHES. <b>TOLERANCES</b> FRACTIONS $\pm 1/64$ DECIMALS XX $\pm .01$ XXX $\pm .005$ ANGLES $\pm 1/2$ DEG. BREAK SHARP EDGES .003 - .005	MATERIAL  HEAT TREAT  EXCEPT AS NOTED  FIN $\checkmark$	DRAWN RG 5-29 80 MFG. JT. 5-80	pcb piezotronics, inc. BUFFALO, NEW YORK 14225	
		CHECKED EOR 5-29 80 ENGR. MTS 130 80		
TITLE INSTALLATION DRAWING MODEL 218A11 FORCE TRANSDUCER		CODE IDENT. NO.	DWG. NO. 218-1110-90	
SCALE 2 : 1		SHEET 1 OF 1		