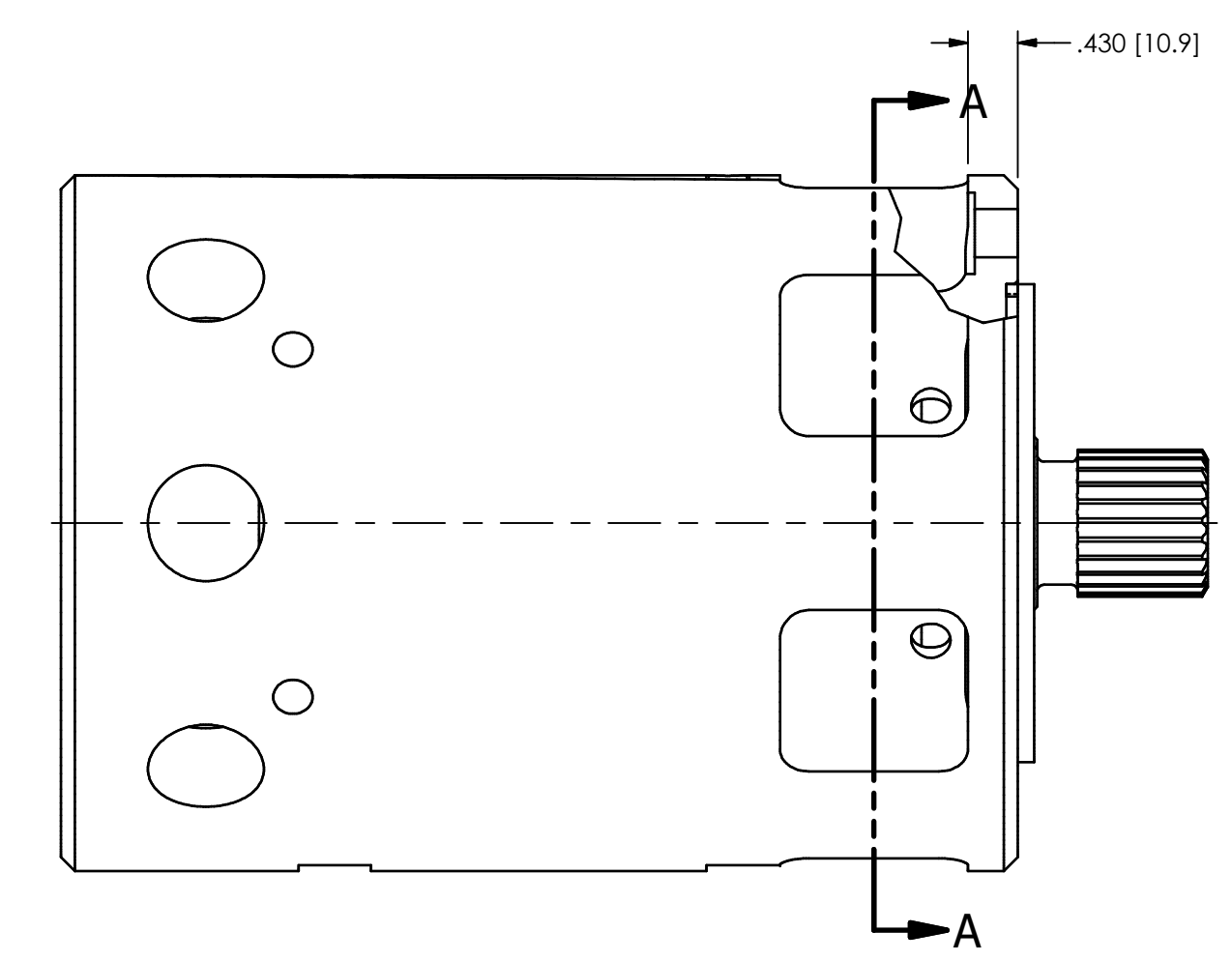
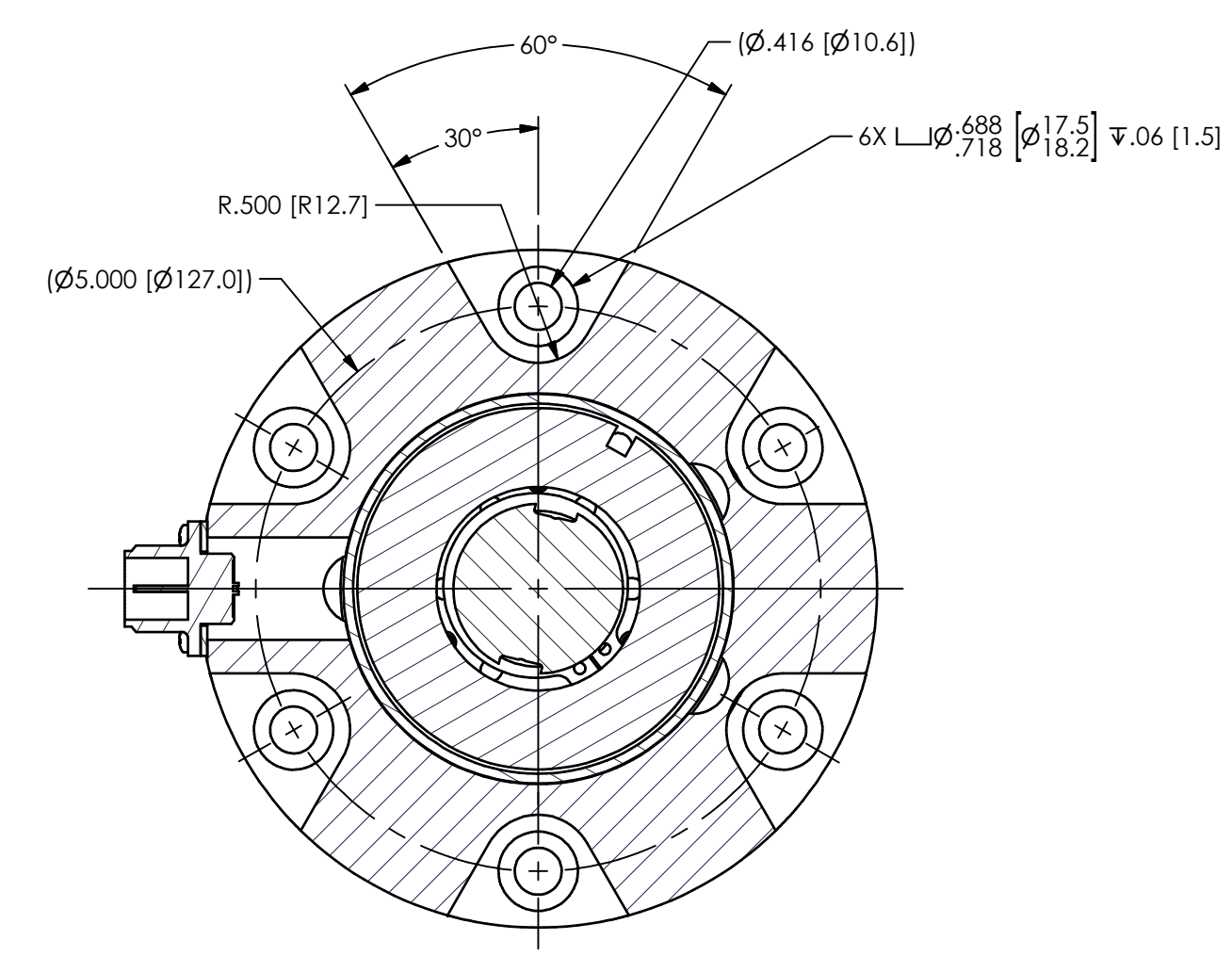
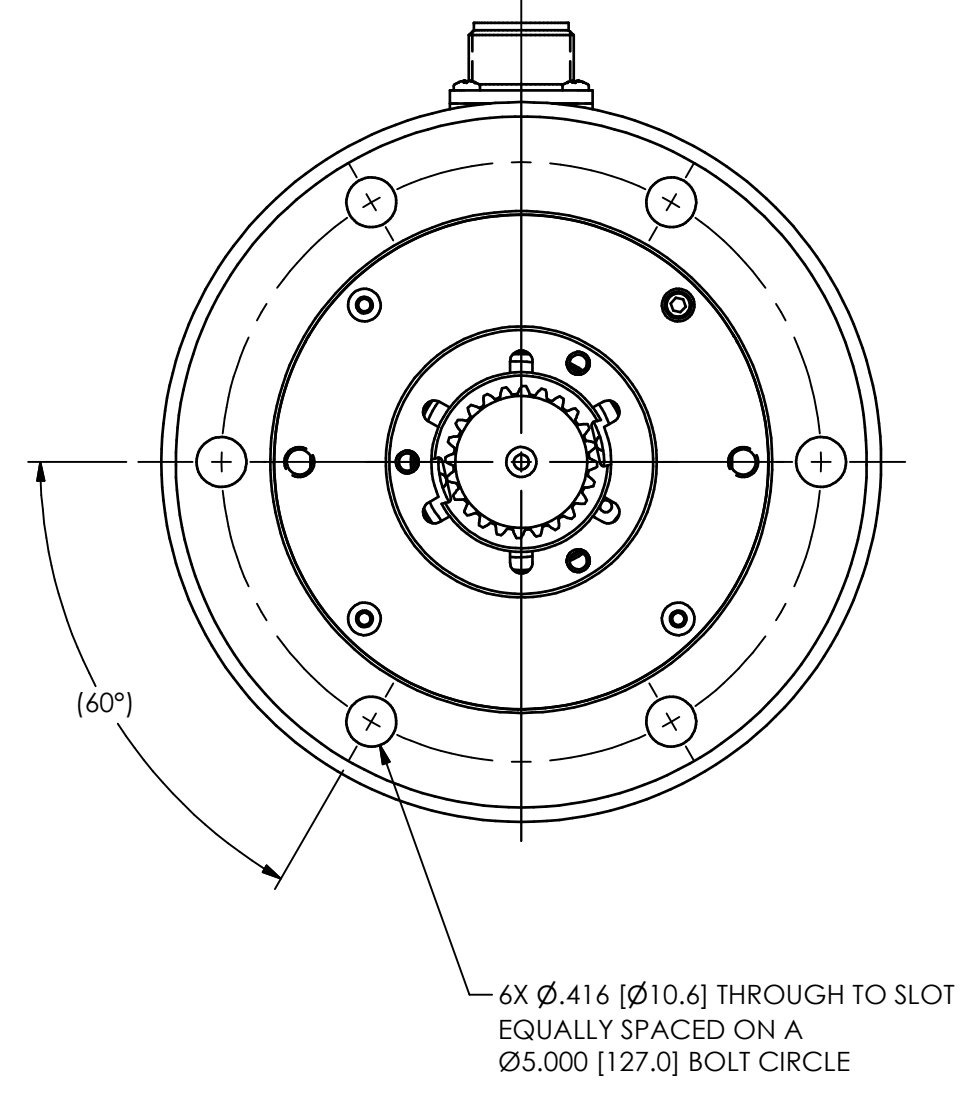
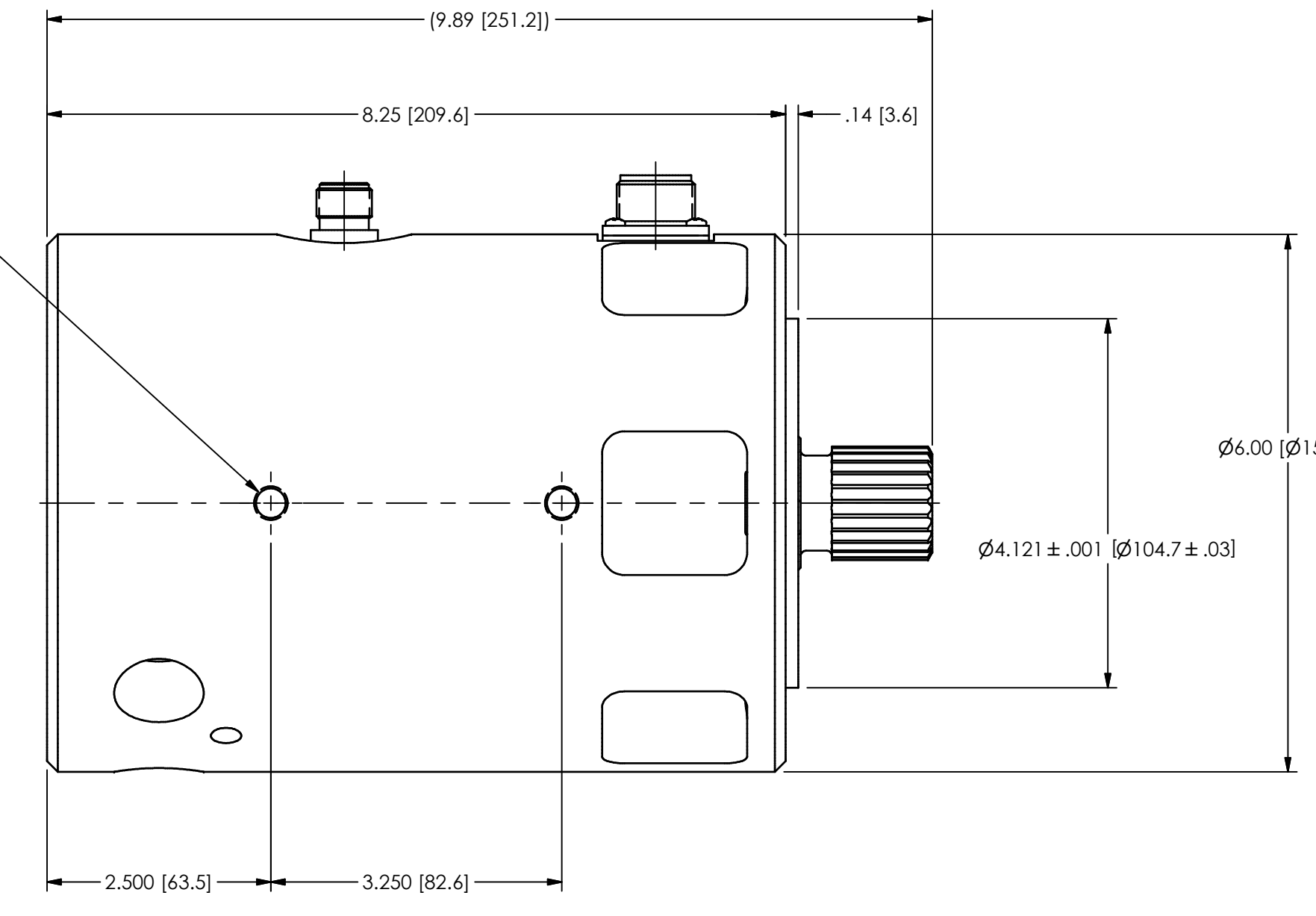
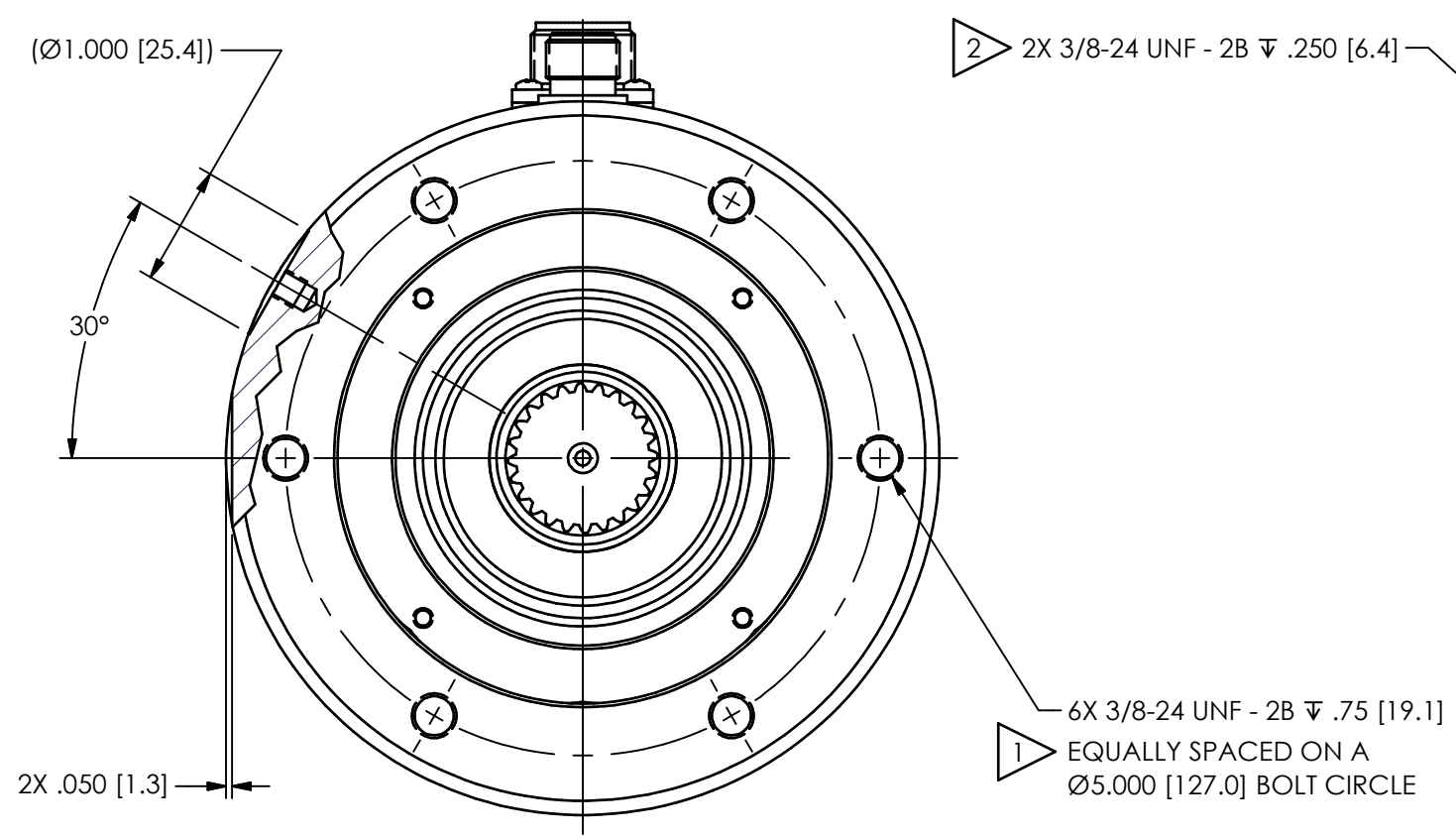
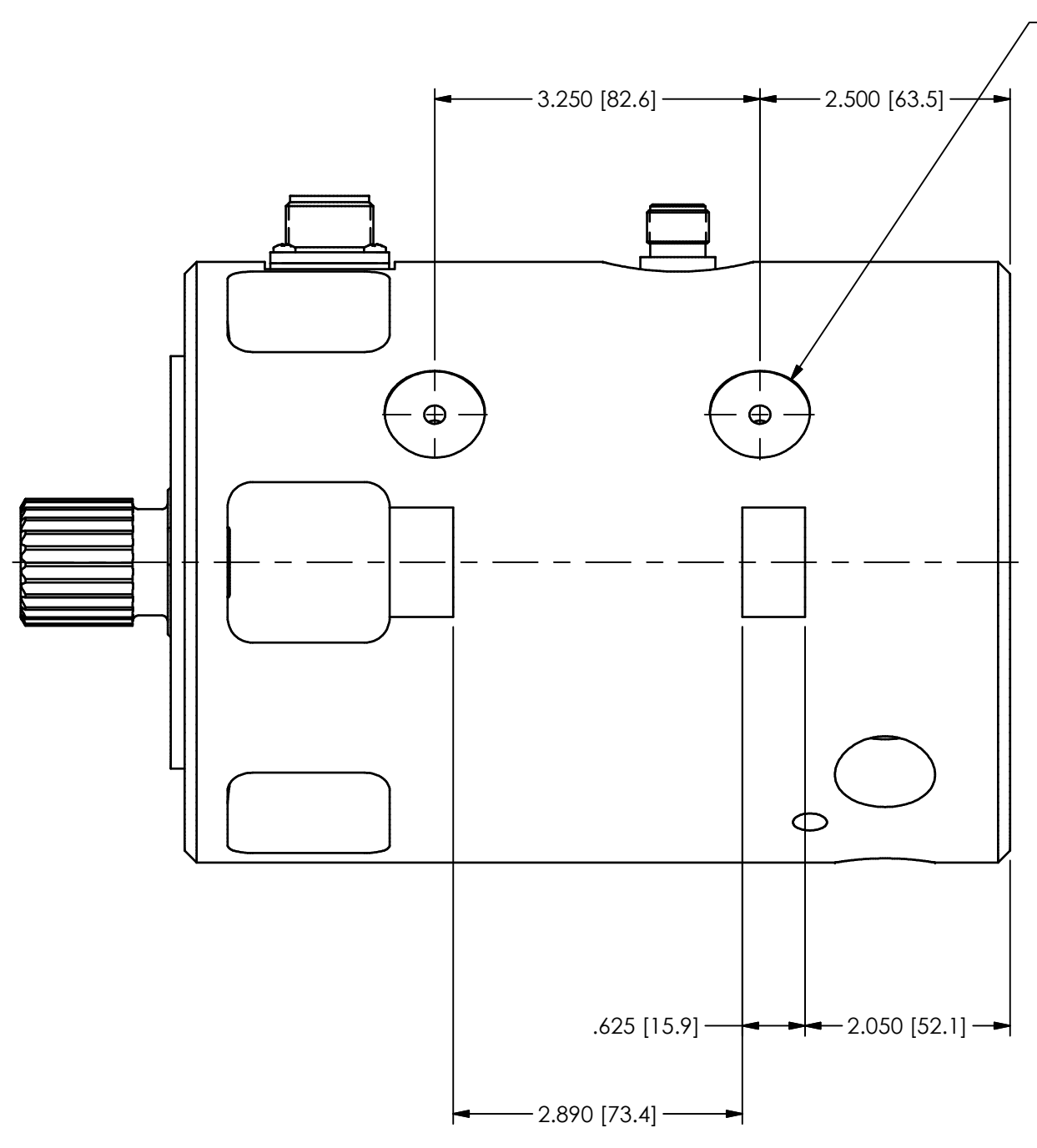
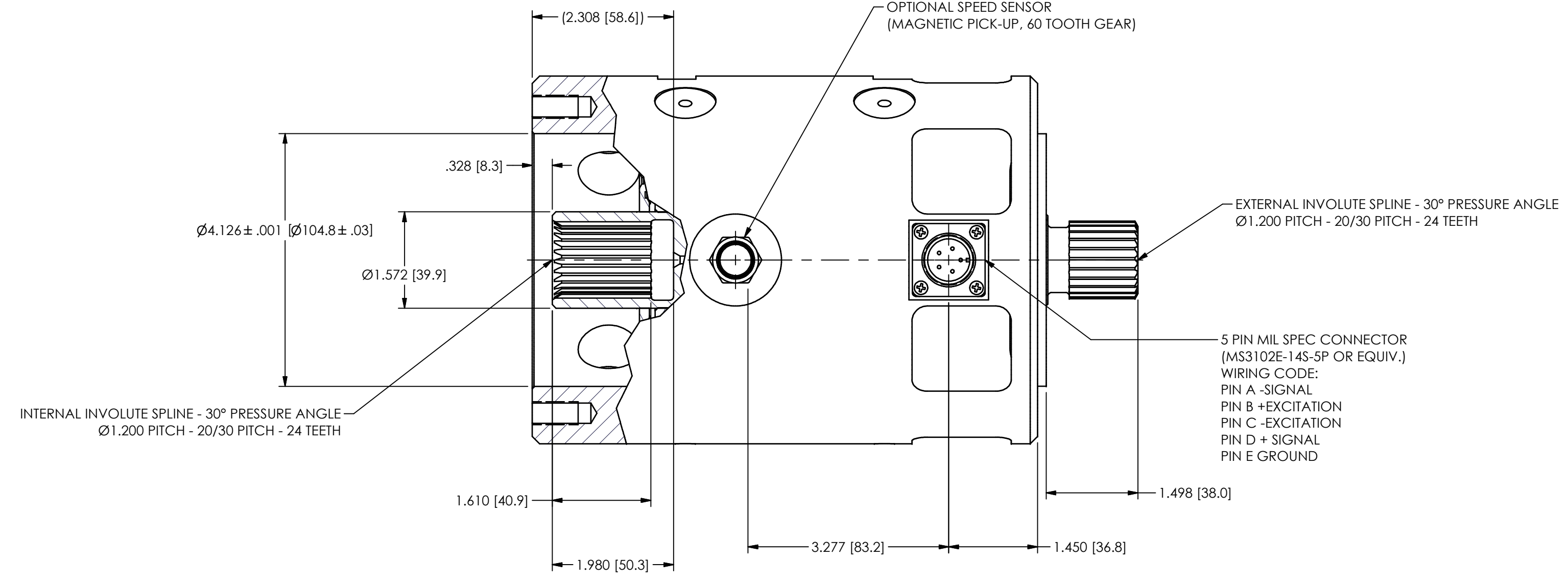
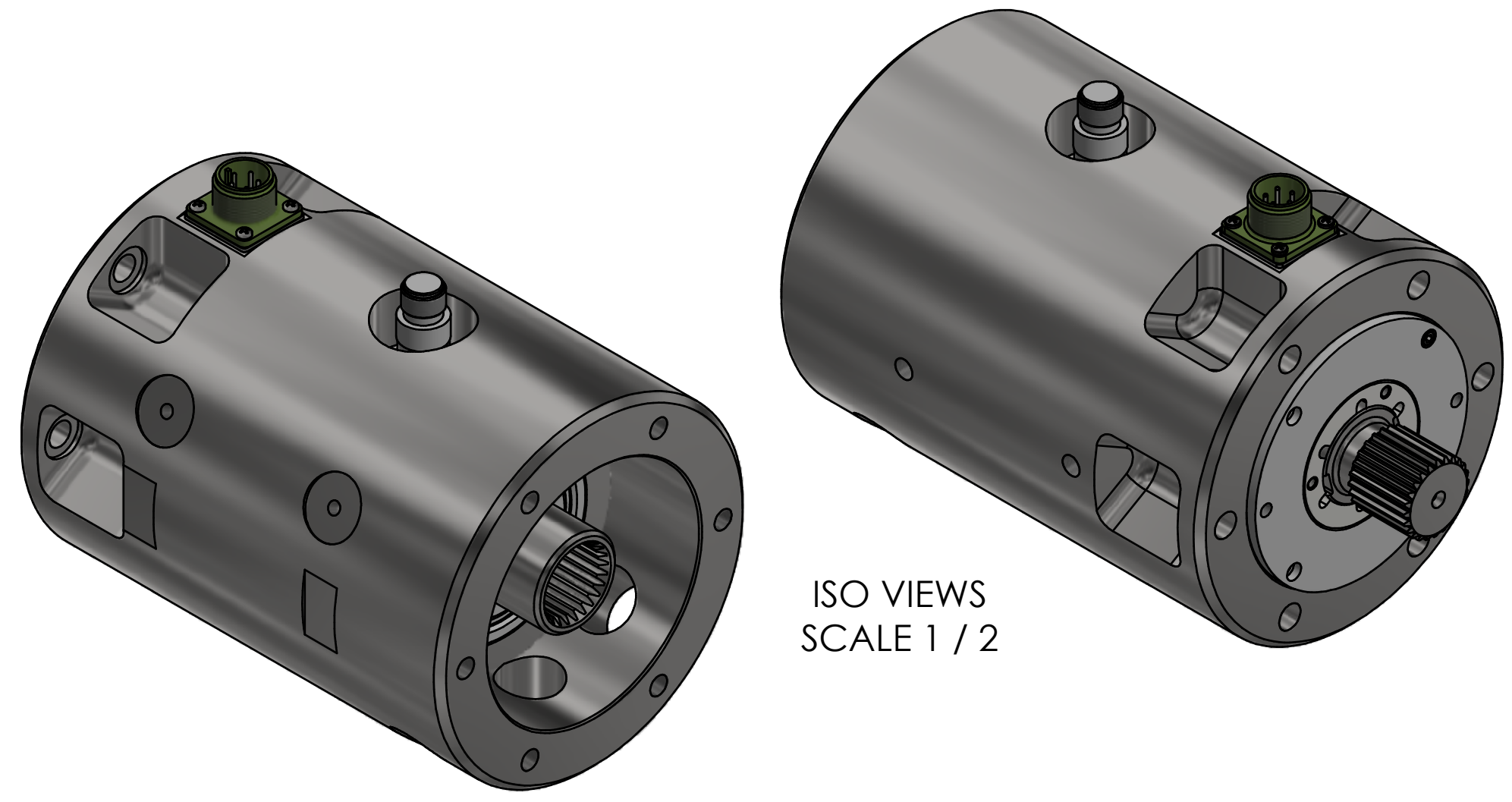


PCB Load & Torque (A Division of PCB Piezotronics, Inc.) claims proprietary rights in the information disclosed hereon. Neither it nor any reproduction thereof will be disclosed to others without the written consent of PCB Load and Torque.

22675

REVISIONS		
REV	DESCRIPTION	ECO
A	ADDED VIBRATION MONITORING HOLES - 06.02.22, PTE	45389



- NOTES:
- 1 3/8-24 TAPPED HOLES (6) PROVIDED FOR OPTIONAL STUDS
 - 2 3/8-24 TAPPED HOLES (2) PROVIDED FOR OPTIONAL THERMOCOUPLES FOR FOR BEARING TEMPERATURE MONITORING
 - 3 1/4-28 TAPPED HOLES (2) PROVIDED FOR OPTIONAL ACCELEROMETERS FOR VIBRATION MONITORING

UNLESS OTHERWISE SPECIFIED TOLERANCES ARE:		DRAWN			CHECKED			ENGINEER			PCB LOAD & TORQUE A PCB GROUP COMPANY
DIMENSIONS IN INCHES		PTE			JAM			PTE			
DECIMALS	XX ±.01 XXX ±.005	TITLE			DATE			DATE			DWG. NO. 22675
ANGLES	± .5 DEGREES	OUTLINE DRAWING MODEL 4115K SERIES ROTARY TRANSFORMER			5/27/22			5/27/22			
FILETS AND RADI	Ø15 MAX	DIMENSIONS IN MILLIMETERS [IN BRACKETS]		DECIMALS X ± 0.3 XX ± 0.13		ANGLES ± .5 DEGREES					
		FILETS AND RADI 0.38 MAX									