

2

1

APPLICATION

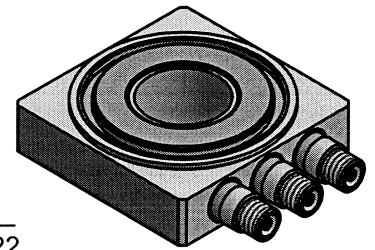
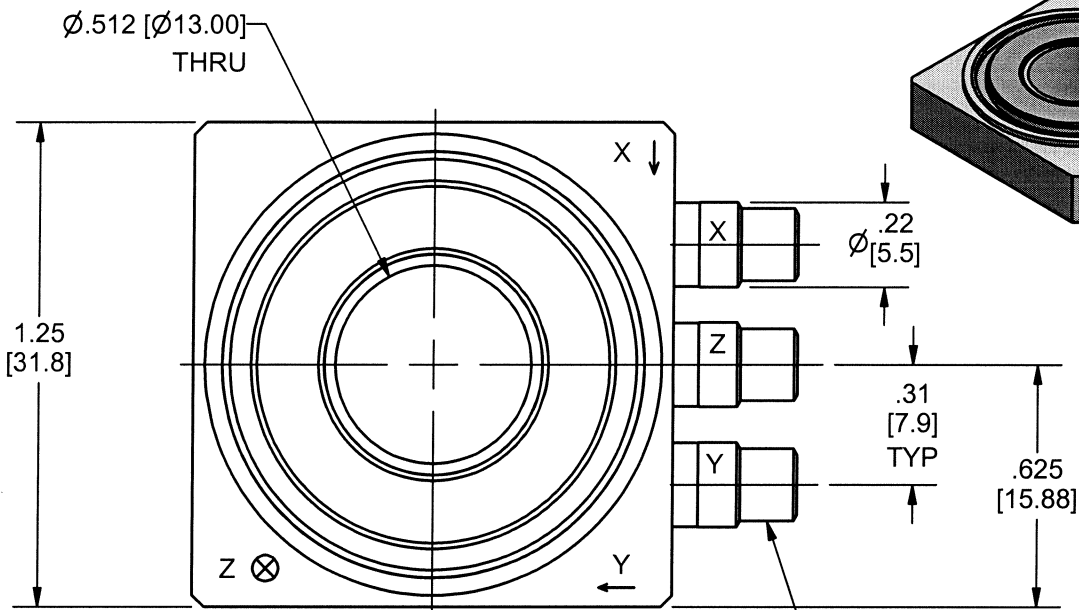
REVISIONS

NEXT ASS'Y	USED ON	VAR

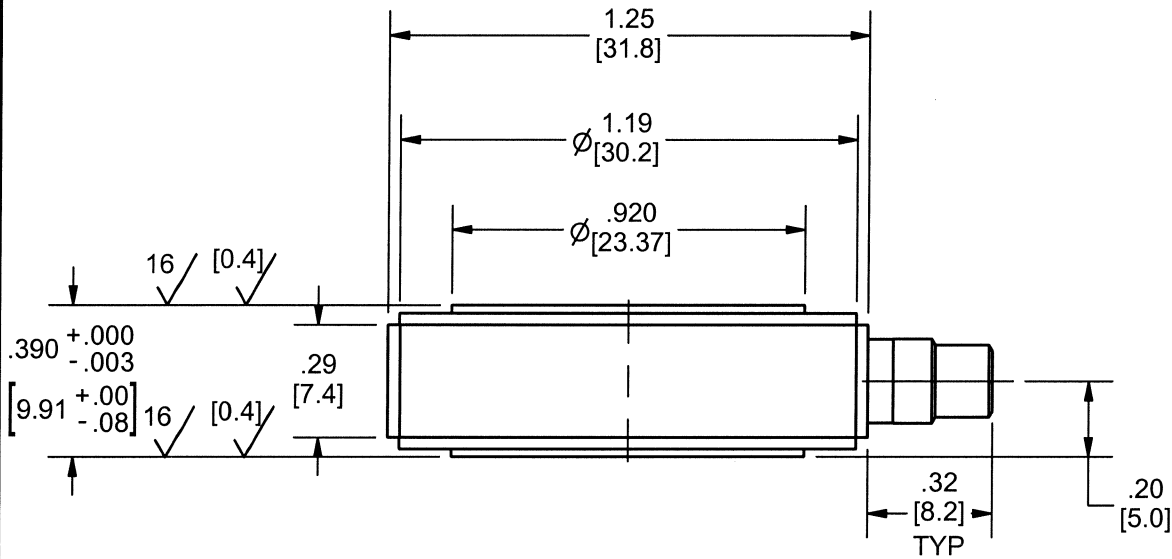
REV	DESCRIPTION	ECN	APP'D
NR	RELEASED TO DRAFTING		<i>nm6/05</i>

30775

PCB Piezotronics Inc. claims proprietary rights in the information disclosed hereon. Neither it nor any reproduction thereof will be disclosed to others without the written consent of PCB Piezotronics Inc.



ELECTRICAL CONNECTOR
COAXIAL 10-32 UNF-2A
TYPICAL 3 PLACES



1.) SEE SHEETS 2 AND 3 FOR STANDARD AND METRIC MOUNTING INSTRUCTIONS

UNLESS OTHERWISE SPECIFIED TOLERANCES ARE:		DRAWN	<i>nm</i>	<i>blst</i>	MFG	<i>ALG</i>	<i>6/17/05</i>	<p>3425 WALDEN AVE. DEPEW, NY 14043 (716) 684-0001 E-MAIL: sales@pcb.com</p>
DIMENSIONS IN INCHES	DIMENSIONS IN MILLIMETERS [IN BRACKETS]	CHK'D	<i>nm</i>	<i>blst</i>	ENGR	<i>nm</i>	<i>6/16/05</i>	
DECIMALS XX ± .01 XXX ± .005 ANGLES ± 2 DEGREES	DECIMALS X ± 0.3 XX ± 0.13 ANGLES ± 2 DEGREES	APP'D	<i>nm</i>	<i>blst</i>	SALES	<i>nm</i>	<i>6/16/05</i>	
FILLETS AND RADII .003 - .005	FILLETS AND RADII [0.07 - 0.13]	TITLE					CODE IDENT. NO. 52681	
		INSTALLATION DRAWING					SCALE: 2 X	SHEET 1 OF 3
		MODEL 260A32						
		TRIAxIAL FORCE SENSOR						

2

1

2

1

APPLICATION

REVISIONS

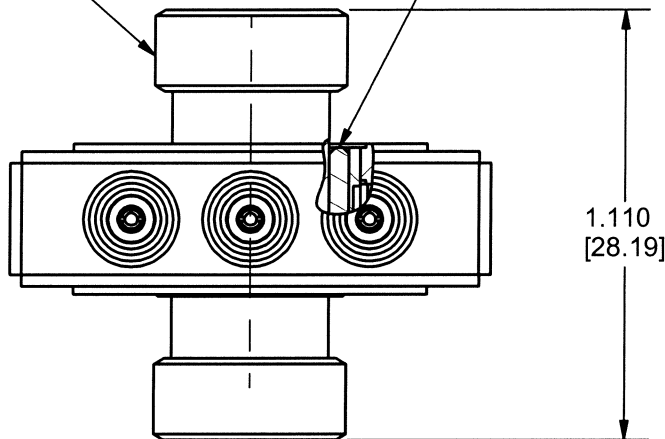
NEXT ASSY	USED ON	VAR

REV	DESCRIPTION	ECN	APP'D
	-SEE SHEET ONE-		<i>DMB</i>

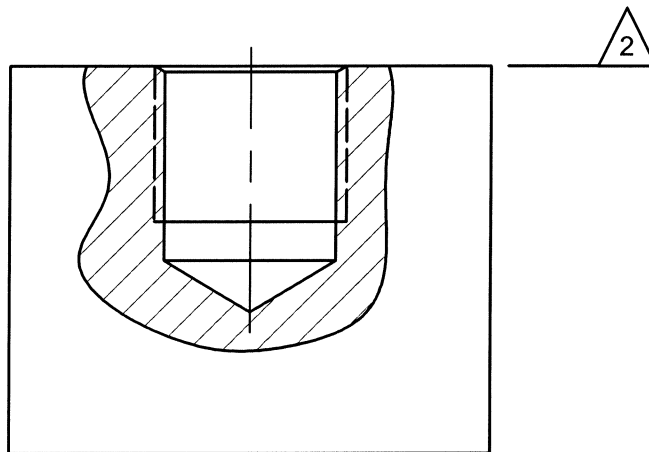
30775

MODEL 081A74
MOUNTING STUD
1/2-20 UNF-2A
TYP EACH END
(SUPPLIED)

MODEL 083A13
PILOT BUSHING
(SUPPLIED)



TYPICAL STUD MOUNTING
INSTALLATION



MOUNTING HOLE PREPERATION

DRILL \varnothing .453 [\varnothing 11.51]
X .500 [12.70] ∇
1/2-20 UNF-2B \triangle 3
X .400 [10.16] ∇
PERFECT THREAD

4.) SEE MANUAL FOR PRELOAD INSTRUCTIONS

\triangle 3 DRILL PERPENDICULAR TO MOUNTING SURFACE TO WITHIN $\pm 1'$

\triangle 2 MOUNTING SURFACE UNDER FORCE RING MUST BE FLAT WITHIN
.001 [0.03] TIR WITH A $\sqrt{32}$ [0.8] FINISH.

UNLESS OTHERWISE SPECIFIED TOLERANCES ARE:

DIMENSIONS IN INCHES

DIMENSIONS IN MILLIMETERS
[IN BRACKETS]

DECIMALS XX \pm .01
XXX \pm .005
ANGLES \pm 2 DEGREES

DECIMALS X \pm 0.3
XX \pm 0.13
ANGLES \pm 2 DEGREES

FILLETS AND RADII
.003 - .005

FILLETS AND RADII
[0.07 - 0.13]

DRAWN	<i>DMB 6/17/05</i>	MFG	<i>KLG 6/17/05</i>
CHK'D	<i>DMB 6/17/05</i>	ENGR	<i>DMB 6/17/05</i>
APP'D	<i>DMB 6/16/05</i>	SALES	<i>DMB 6/16/05</i>

TITLE INSTALLATION DRAWING

MODEL 260A32

TRIAxIAL FORCE SENSOR

PCB PIEZOTRONICS INC.

3425 WALDEN AVE. DEPEW, NY 14043
(716) 684-0001 E-MAIL: sales@pcb.com

CODE
IDENT. NO.
52681

DWG. NO.

30775

SCALE: 2 X

SHEET 2 OF 3

2

1

PCB Piezotronics Inc. claims proprietary rights in the information disclosed hereon. Neither it nor any reproduction thereof will be disclosed to others without the written consent of PCB Piezotronics Inc.

B

B

A

A

2

1

APPLICATION

REVISIONS

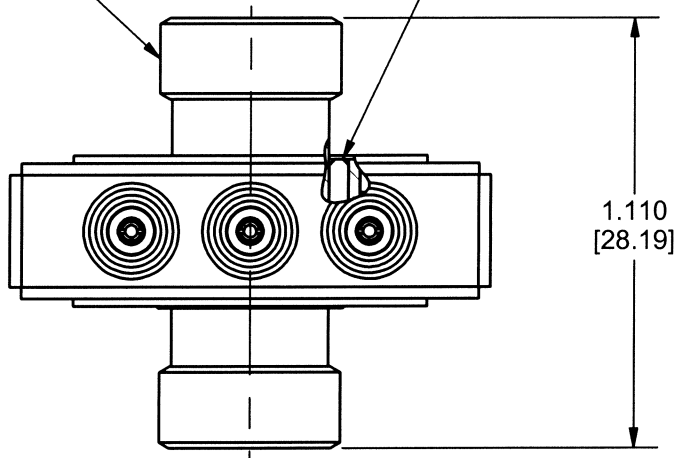
NEXT ASSY	USED ON	VAR

REV	DESCRIPTION	ECN	APP'D
	-SEE SHEET ONE-		<i>DM 6/10</i>

30775

MODEL M081A74
MOUNTING STUD
M12 X 1.25-6g
TYP EXCH END

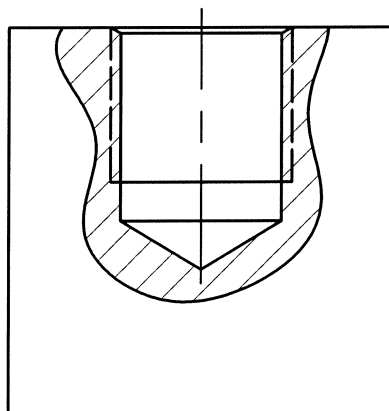
MODEL 083A13
PILOT BUSHING
(SUPPLIED)



TYPICAL STUD MOUNTING INSTALLATION

MOUNTING HOLE PREPERATION

DRILL $\varnothing .422$ [$\varnothing 10.80$]
X .500 [12.70] ∇
M12 X 1.25-6H $\triangle 3$
X .400 [10.16] ∇
PERFECT THREAD



4.) SEE MANUAL FOR PRELOAD INSTRUCTUIONS

$\triangle 3$ DRILL PERPINDICULAR TO MOUNTING SURFACE TO WITHIN $\pm 1'$

$\triangle 2$ MOUNTING SURFACE UNDER FORCE RING MUST BE FLAT WITHIN .001 [0.03] TIR WITH A $32 \sqrt{[0.8]}$ FINISH.

UNLESS OTHERWISE SPECIFIED TOLERANCES ARE:

DIMENSIONS IN INCHES	DIMENSIONS IN MILLIMETERS [IN BRACKETS]
DECIMALS XX $\pm .01$	DECIMALS X ± 0.3
XXX $\pm .005$	XX ± 0.13
ANGLES ± 2 DEGREES	ANGLES ± 2 DEGREES

DRAWN	<i>QRM 6/15/05</i>	MFG	<i>KLG 6/17/05</i>
CHK'D	<i>DM 6/17/05</i>	ENGR	<i>DMB 6/17/05</i>
APP'D	<i>MJC 6/16/05</i>	SALES	<i>ggm 6/16/05</i>
TITLE	INSTALLATION DRAWING		

PCB PIEZOTRONICSTM
3425 WALDEN AVE. DEPEW, NY 14043
(716) 684-0001 E-MAIL: sales@pcb.com

FILLETS AND RADII .003 - .005	FILLETS AND RADII [0.07 - 0.13]
----------------------------------	--------------------------------------

MODEL M260A32
TRIAxIAL FORCE SENSOR

CODE IDENT. NO. 52681	DWG. NO. 30775
SCALE: 2 X	SHEET 3 OF 3

2

1

PCB Piezotronics Inc. claims proprietary rights in the information disclosed hereon. Neither it nor any reproduction thereof will be disclosed to others without the written consent of PCB Piezotronics Inc.

D

B

A

A