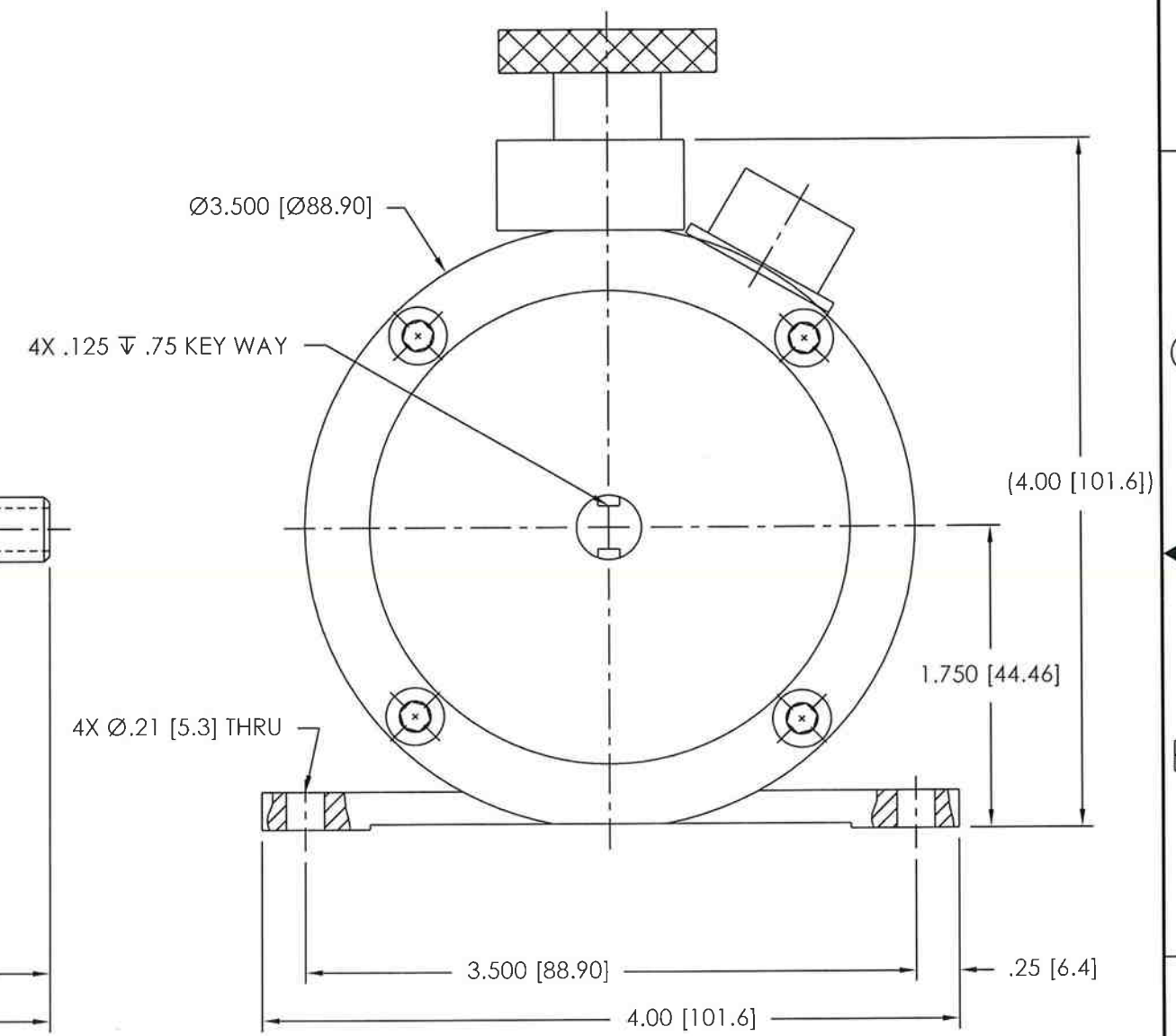
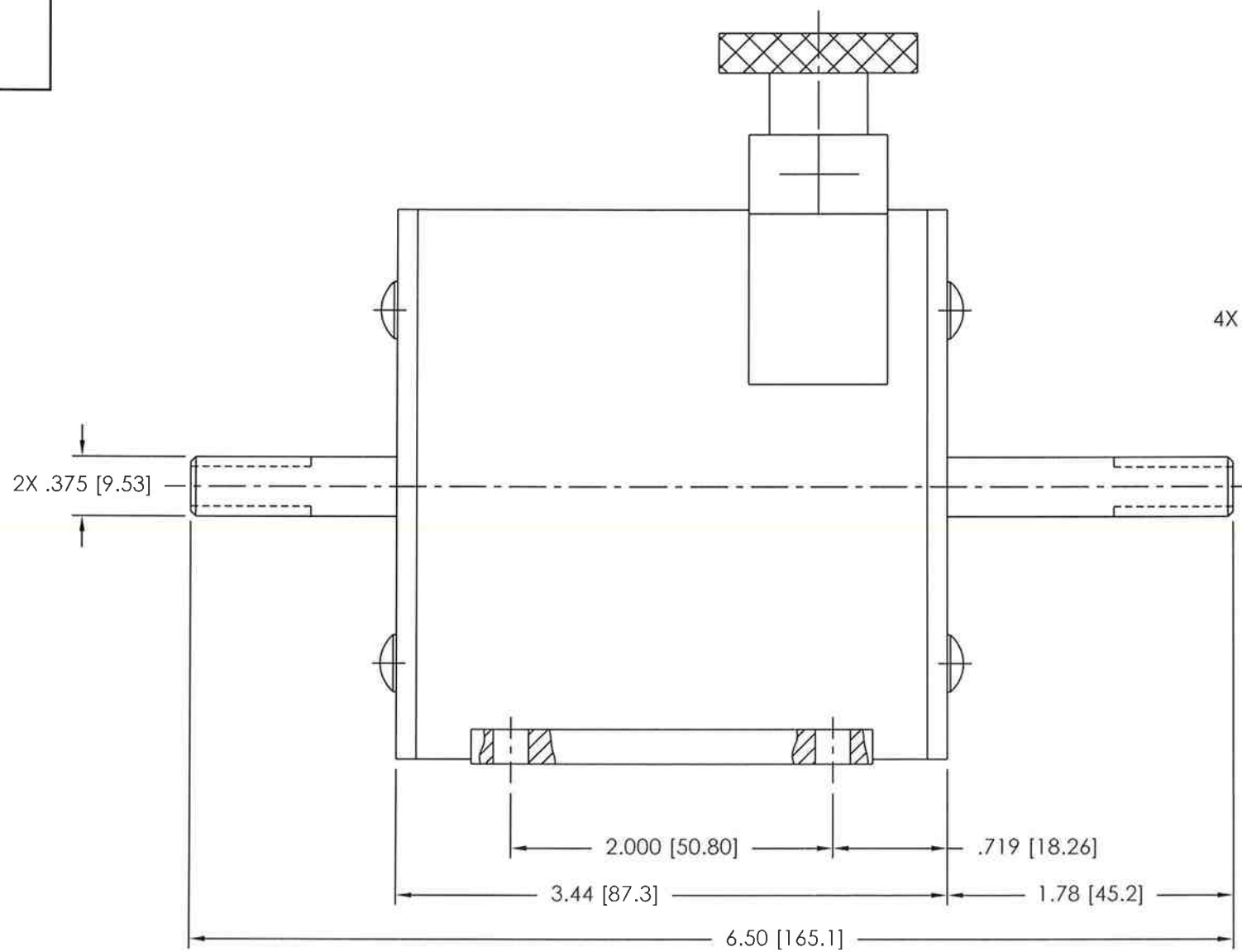


PCB Piezotronics Inc. claims proprietary rights in the information disclosed herein. Neither it nor any reproduction thereof will be disclosed to others without written consent of PCB Piezotronics Inc.

REVISIONS		
REV	DESCRIPTION	ECN
NR	RELEASED TO DRAFTING	33340

45871



UNLESS SPECIFIED TOLERANCES		DRAWN	CHECKED	ENGINEER	 PCB LOAD & TORQUE A PCB GROUP COMPANY 24350 INDOPLEX CIRCLE, FARMINGTON HILLS, MI 48335 (716) 684-0001 E-MAIL: info@pcbloadtorque.com
DIMENSIONS IN INCHES	DIMENSIONS IN MILLIMETERS (IN BRACKETS)	<i>853/11/10</i>	<i>MDF</i>	PTE 6/28/10	
DECIMALS XX ±.01 XXX ±.005 ANGLES ±.5 DEGREES	DECIMALS X ±0.3 XX ±0.13 ANGLES ±.5 DEGREES	TITLE OUTLINE DRAWING MODELS 3122 SERIES ROTARY SHAFT TORQUE SENSOR			CODE IDENT. NO. 52681
FILLETS AND RADII .015 MAX	FILLETS AND RADII [0.07 - 0.13]				DWG. NO. 45871