

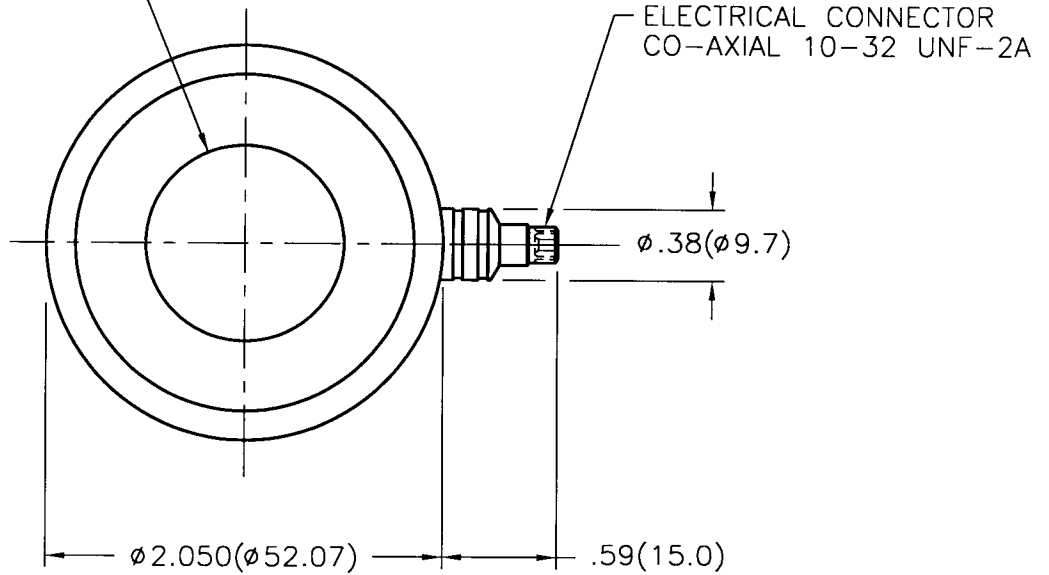
5606

PCB Piezotronics Inc. claims proprietary rights in the information disclosed hereon. Neither it nor any reproduction thereof will be disclosed to others without written consent of PCB Piezotronics Inc.

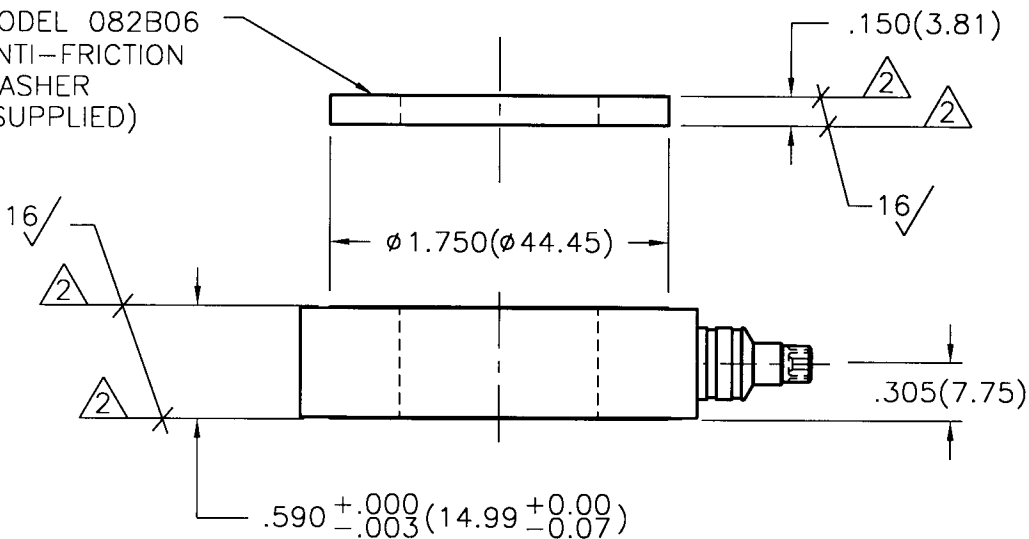
APPLICATION		
NEXT ASS'Y	USED ON	VAR

REVISIONS				
REV	DESCRIPTION	ECN	DATE	APP'D

∅1.025(∅26.04)
THRU HOLE



MODEL 082B06
ANTI-FRICTION
WASHER
(SUPPLIED)



△ THESE SURFACES TO BE FLAT AND PARALLEL TO WITHIN .001(0.03) TIR.

1.) SEE SHEET TWO FOR MOUNTING INSTRUCTIONS.

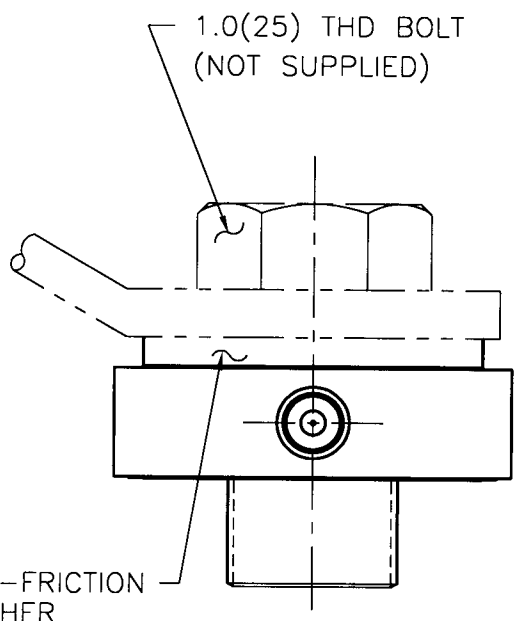
UNLESS SPECIFIED TOLERANCES		DRAWN						PCB PIEZOTRONICS, INC.	
DIMENSIONS IN INCHES	DIMENSIONS IN MILLIMETERS (IN PARENTHESIS)	DRW	1/10/97	MFG	Jim S	1/9/97	3425 WALDEN AVE. DEPEW, NEW YORK 14043 PHONE: (716) 684-0001		
DECIMALS XX ± .01	DECIMALS XX ± 0.3	CHK'D	DM	ENGR	DAE	1/1/97	CODE	DWG. NO.	5606
XXX ± .005	XXX ± 0.13	APP'D	KJS	1/9/97	Specs	See	IDENT. NO.	52681	
ANGLES ± 2 DEGREES	ANGLES ± 2 DEGREES	TITLE						SCALE:	SHEET 1 OF 2
FILLETS AND RADII .003 - .005	FILLETS AND RADII (0.07 - 0.13)	INSTALLATION DRAWING MODEL 206C FORCE RING							
DD011 REV. A 05/26/95									

APPLICATION		
NEXT ASS'Y	USED ON	VAR

REVISIONS				
REV	DESCRIPTION	ECN	DATE	APP'D
	- SEE SHEET ONE -			

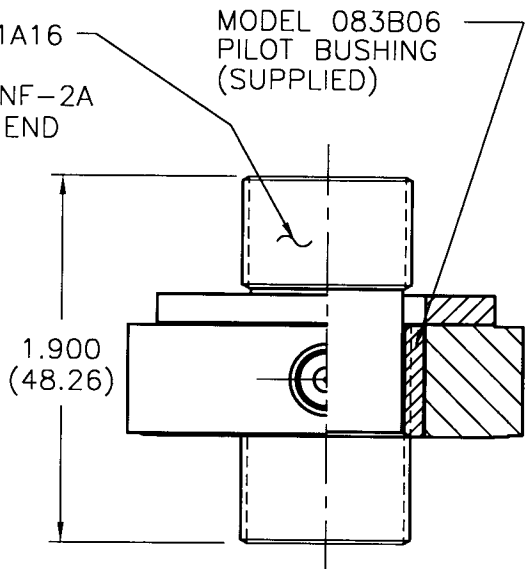
5606

PCB Piezotronics Inc. claims proprietary rights in the information disclosed herein. Neither it nor any reproduction thereof will be disclosed to others without written consent of PCB Piezotronics Inc.



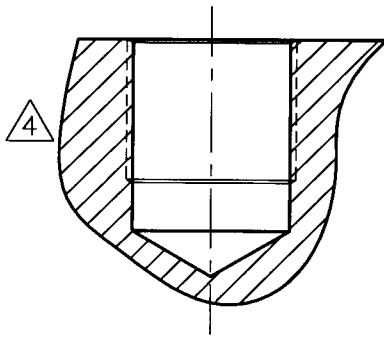
TYP BOLT MOUNTING
INSTALLATION

MODEL 081A16
STUD
7/8-14 UNF-2A
TYP EACH END
(SUPPLIED)

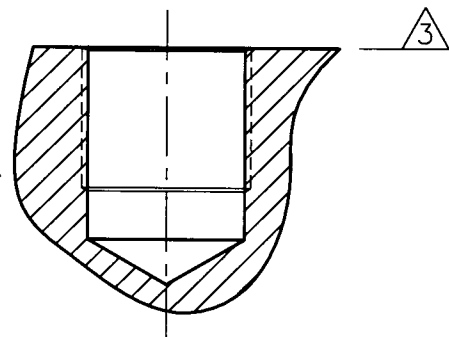


TYP STUD MOUNTING
INSTALLATION

DRILL & TAP
AS REQUIRED
FOR 1.0(25)
THD BOLT



DRILL $\phi .812 (\phi 20.62)$
X 1.00(25.4) \downarrow
TAP 7/8-14 UNF-2B
X .750(19.05) \downarrow
PERFECT THREAD



5.) SEE MANUAL FOR PRELOAD INSTRUCTIONS.

$\triangle 4$ DRILL PERPENDICULAR TO MOUNTING SURFACE TO WITHIN $\pm .001^{\circ}$.

$\triangle 3$ MOUNTING SURFACE UNDER FORCE RING MUST BE FLAT WITHIN .001(0.03) TIR WITH A $63^{\sqrt{}} (1.6^{\sqrt{}})$ FINISH.

UNLESS SPECIFIED TOLERANCES		DRAWN	DS	12/31/96	MFG	JUN 5	1/7/17	PCB PIEZOTRONICS, INC. 3425 WALDEN AVE. DEPEW, NEW YORK 14043 PHONE: (716) 684-0001
DIMENSIONS IN INCHES	DIMENSIONS IN MILLIMETERS (IN PARENTHESIS)	CHK'D	DM	1/6/97	ENGR	1/25	1/6/97	
DECIMALS XX $\pm .01$ XXX $\pm .005$	DECIMALS XX ± 0.3 XXX ± 0.13	APP'D	KJS	4/9/97	SMS	STC	1/7/97	
ANGLES ± 2 DEGREES	ANGLES ± 2 DEGREES	TITLE						CODE IDENT. NO.
FILLETS AND RADII .003 - .005	FILLETS AND RADII (0.07 - 0.13)	INSTALLATION DRAWING MODEL 206C FORCE RING						5606
DD011 REV. A 05/26/95								SCALE: FULL SHEET 2 OF 2