

16462

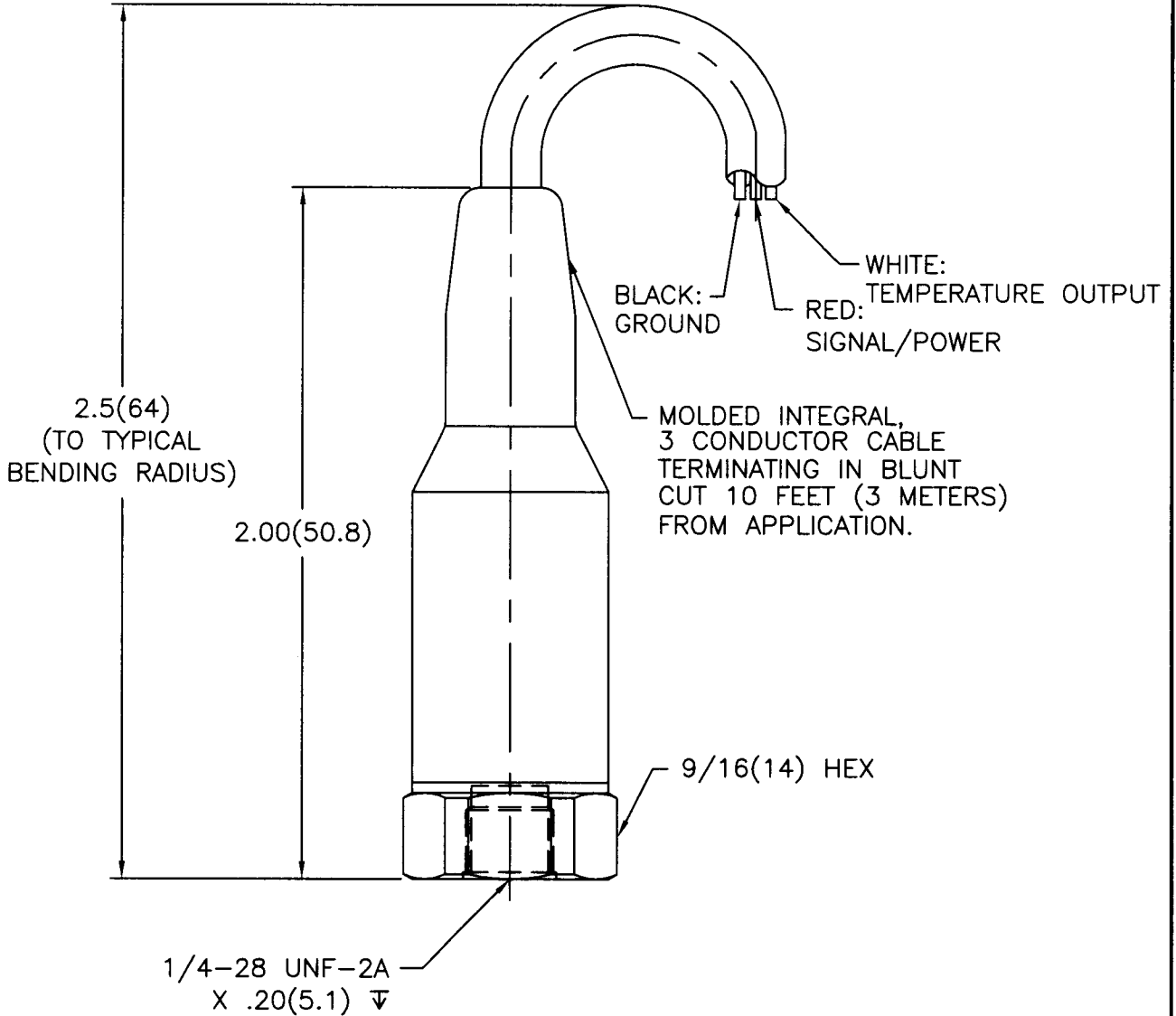
PCB Piezotronics Inc. claims proprietary rights in the information disclosed hereon. Neither it nor any reproduction thereof will be disclosed to others without written consent of PCB Piezotronics Inc.

APPLICATION

NEXT ASS'Y	USED ON	VAR

REVISIONS

REV	DESCRIPTION	ECN	DATE	APP'D
A	REVISED PER ECN	13830	7/26/01	0.17/01



UNLESS SPECIFIED TOLERANCES		DRAWN	<i>MVS</i>	7/26/01	MFG	<i>S.D</i>	7/26/01	<p>3425 WALDEN AVE. DEPEW, NY 14043 (716) 684-0001 EMAIL: SALES@PCB.COM</p>
DIMENSIONS IN INCHES	DIMENSIONS IN MILLIMETERS (IN PARENTHESIS)	CHK'D	<i>zm</i>	7/27/01	ENGR	<i>ma</i>	7/27/01	
DECIMALS XX ±.01 XXX ±.005	DECIMALS XX ±0.3 XXX ±0.13	APP'D	<i>U.F</i>	7/27/01	SALES	<i>EGT</i>	7/27/01	
ANGLES ±2 DEGREES	ANGLES ±2 DEGREES	TITLE						CODE IDENT. NO.
FILLETS AND RADII .003 - .005	FILLETS AND RADII (0.07 - 0.13)	OUTLINE DRAWING MODEL T0608A11, M ACCELEROMETER						DWG. NO. 16462
DD011 REV. B 03/13/98		SCALE: 2X						SHEET 1 OF 1