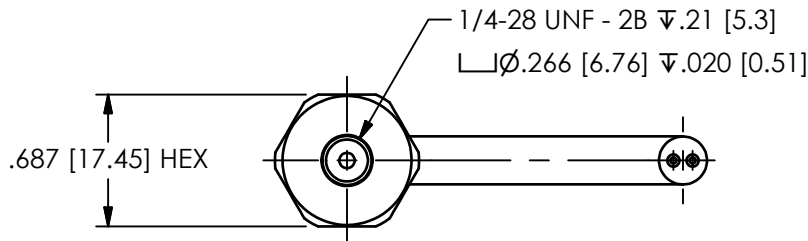
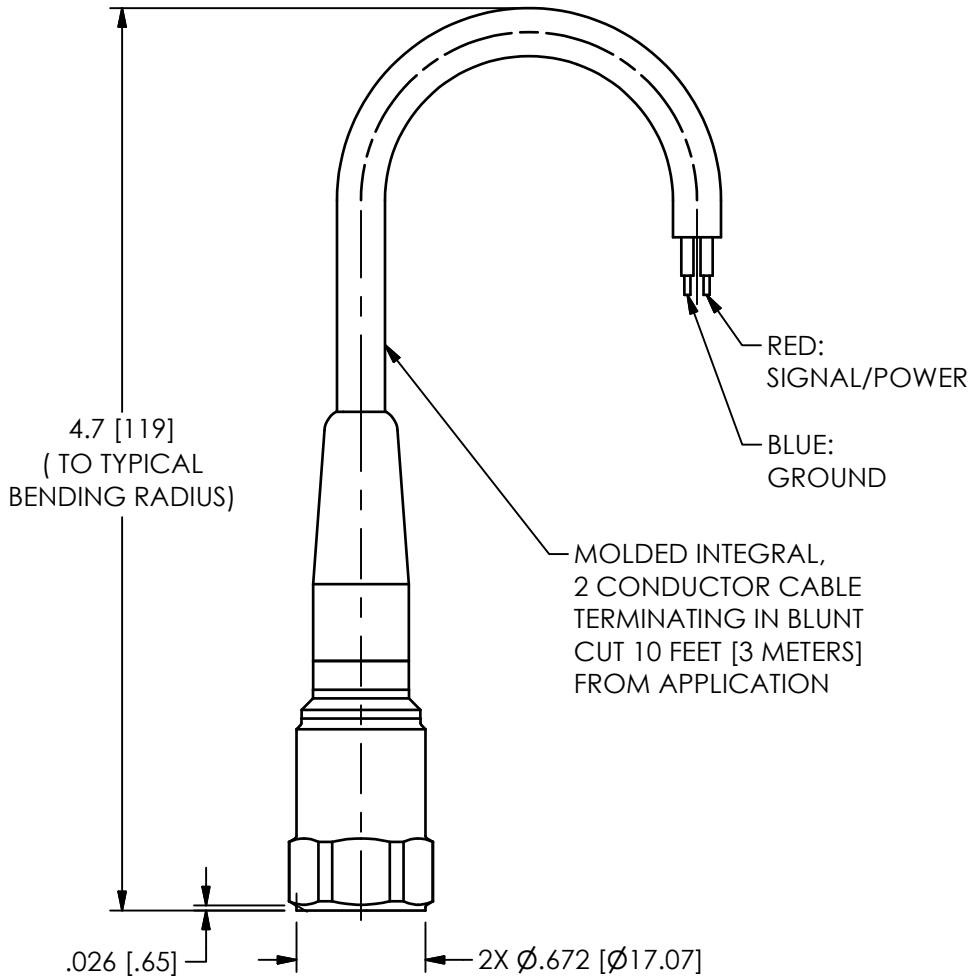


PCB Piezotronics Inc. claims proprietary rights in the information disclosed herein. Neither it nor any reproduction thereof will be disclosed to others without the written consent of PCB Piezotronics Inc.

1 REVISIONS		
REV	DESCRIPTION	DIN
A	UPDATED TITLE BLOCK	52852

16959



UNLESS OTHERWISE SPECIFIED TOLERANCES ARE:		DRAWN		CHECKED		ENGINEER		PCB PIEZOTRONICS AN AMPHENOL COMPANY 3425 WALDEN AVE. DEPEW, NY 14043 (716) 684-0001 E-MAIL: sales@pcb.com	
DIMENSIONS IN INCHES	DIMENSIONS IN MILLIMETERS [IN BRACKETS]	JJF	5/17/22	JJF	5/17/22	GGG	5/17/22		
DECIMALS XX \pm .03 XXX \pm .010	DECIMALS X \pm 0.8 XX \pm 0.25	TITLE							CODE IDENT. NO.
ANGLES \pm 2 DEGREES	ANGLES \pm 2 DEGREES								52681
CABLE TOLERANCES IN ENGLISH	CABLE TOLERANCES IN METRIC	OUTLINE DRAWING INTEGRAL CABLE 603C1X, M SERIES						DWG. NO.	
1" \leq LENGTH < 1' = +1" / - 0	2.54cm \leq LENGTH < 30.5cm = +2.54cm / - 0							16959	
1' \leq LENGTH < 5' = +2" / - 0	30.5cm \leq LENGTH < 1.5m = +5.1cm / - 0	SCALE: FULL	SHEET 1 OF 1						
5' \leq LENGTH < 100' = +6" / - 0	1.5m \leq LENGTH < 30.5m = +15.2cm / - 0								
100' \leq LENGTH = +1' / - 0	30.5m \leq LENGTH = +30.5cm / - 0								
FILLETS AND RADII .003 - .005	FILLETS AND RADII 0.07 - 0.13								