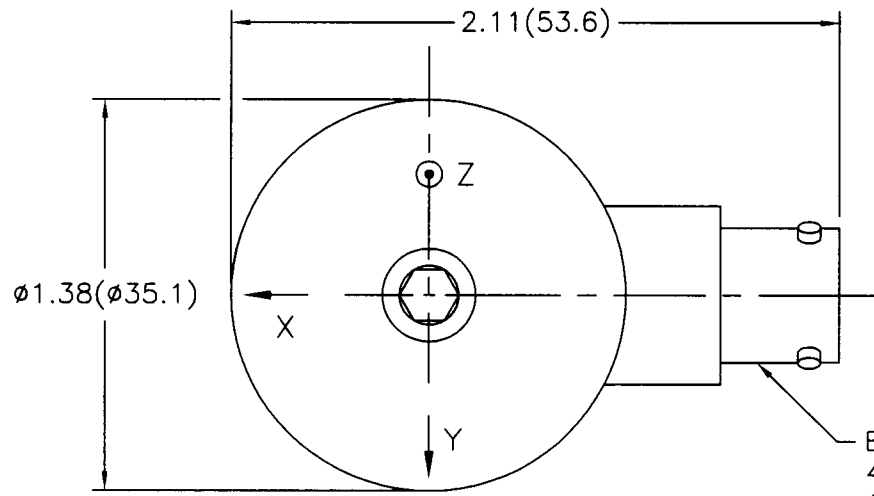


19513

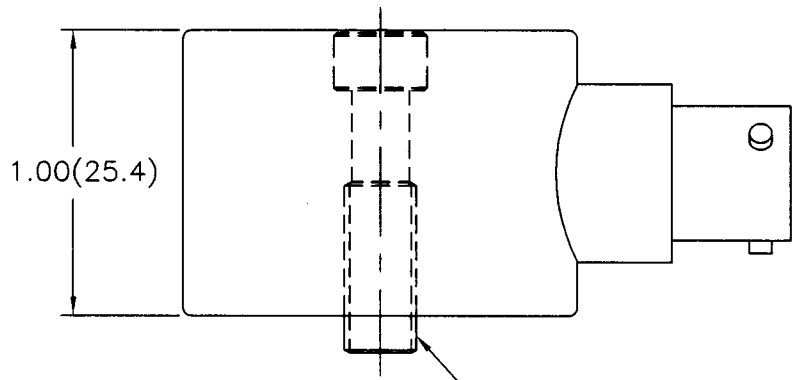
PCB Piezotronics Inc. claims proprietary rights in the information disclosed hereon. Neither it nor any reproduction thereof will be disclosed to others without written consent of PCB Piezotronics Inc.

APPLICATION		
NEXT ASS'Y	USED ON	VAR

REVISIONS				
REV	DESCRIPTION	ECN	DATE	APP'D

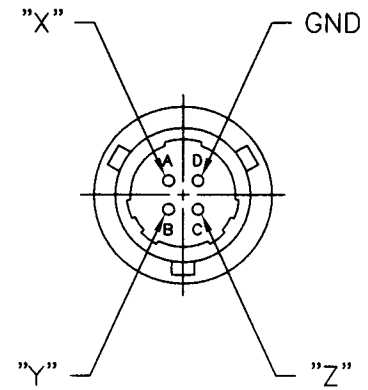


ELECTRICAL CONNECTOR
4-PIN BAYONET
(MIL-C-26482)



MOUNTING BOLT
MODEL 081A68
1/4-28 UNF-2A
X .92(23.4) LONG
(SUPPLIED) \triangle

SIDE VIEW OF CONNECTOR



\triangle FOR METRIC RING TRIAXIAL ACCELEROMETER (MODEL M604B31) USE MOUNTING BOLT MODEL M081A68, M6 X 1.00-6g X .92(23.4) LONG.

UNLESS SPECIFIED TOLERANCES		DRAWN	CHK'D	APP'D	TITLE	PCB PIEZOTRONICS™	
DIMENSIONS IN INCHES	DIMENSIONS IN MILLIMETERS (IN PARENTHESIS)	<i>AUS</i>	<i>5.24.02</i>	<i>P.D.</i>	OUTLINE DRAWING	3425 WALDEN AVE. DEPEW, NY 14043	
DECIMALS XX ±.01	DECIMALS XX ±0.3	<i>en</i>	<i>ep</i>	<i>5/24/02</i>	MODEL 604B31, M	(716) 684-0001 EMAIL: SALES@PCB.COM	
XXX ±.005	XXX ±0.13	<i>N.F.</i>	<i>6/15/02</i>	<i>6/6/02</i>	RING TRIAXIAL ACCELEROMETER	CODE IDENT. NO. 52681	DWG. NO. 19513
ANGLES ±2 DEGREES	ANGLES ±2 DEGREES						
FILLETS AND RADII .003 - .005	FILLETS AND RADII (0.07 - 0.13)						
DD011 REV. B 03/13/98						SCALE: 1.5X	SHEET 1 OF 1