

2

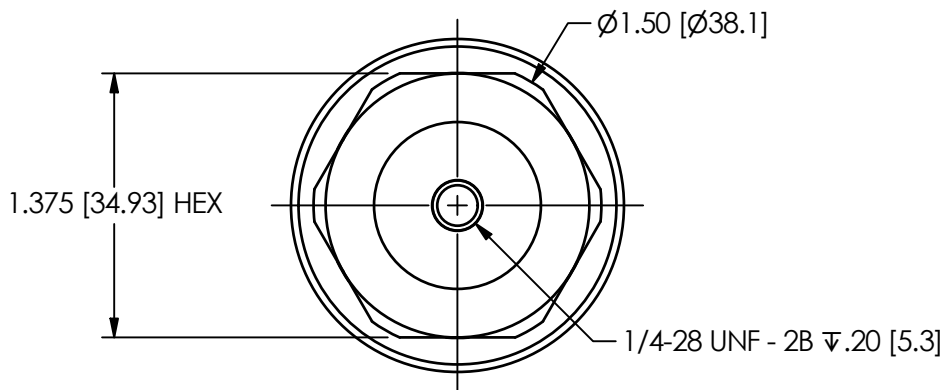
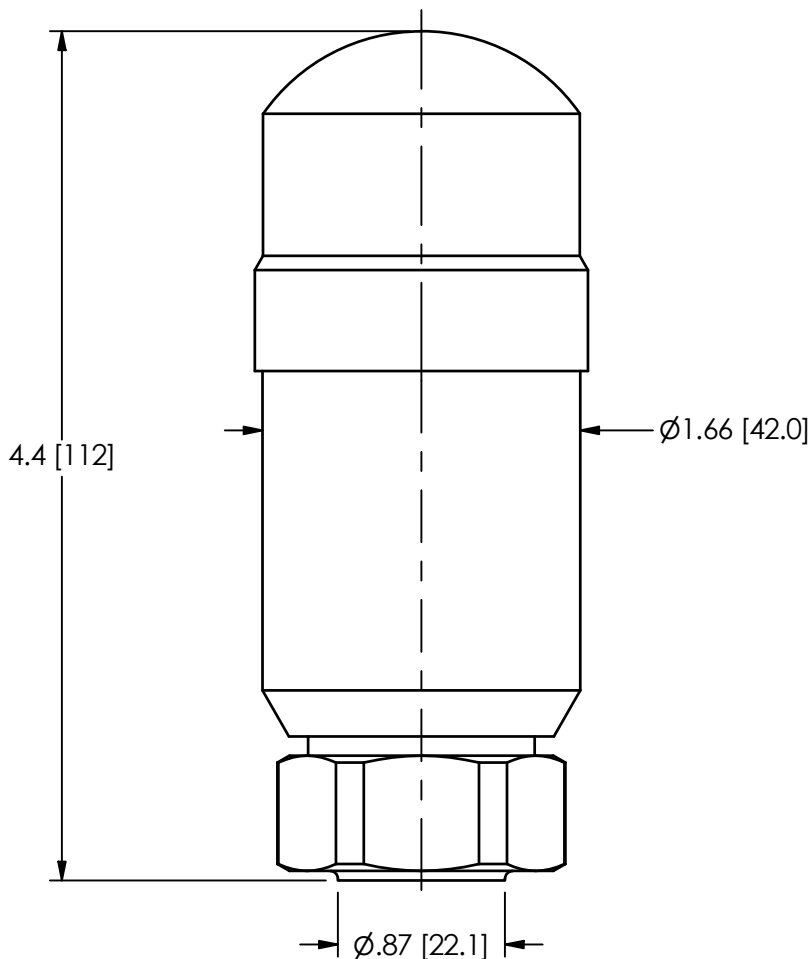
1

PCB Piezotronics Inc. claims proprietary rights in the information disclosed hereon. Neither it nor any reproduction thereof will be disclosed to others without the written consent of PCB Piezotronics Inc.

REVISIONS

REV	DESCRIPTION	DIN
B	UPDATED TITLE	50473

41966



UNLESS OTHERWISE SPECIFIED TOLERANCES ARE:

DRAWN		CHECKED		ENGINEER	
JJF	2/26/20	JJF	2/26/20	YHK	2/26/20



3425 WALDEN AVE. DEPEW, NY 14043  
(716) 684-0001 E-MAIL: sales@pcb.com

DIMENSIONS IN INCHES

DECIMALS XX  $\pm .03$   
XXX  $\pm .010$

ANGLES  $\pm 2$  DEGREES

DIMENSIONS IN MILLIMETERS [ IN BRACKETS ]

DECIMALS X  $\pm 0.8$   
XX  $\pm 0.25$

ANGLES  $\pm 2$  DEGREES

TITLE

OUTLINE DRAWING  
(M)670A SERIES  
WIRELESS

CODE IDENT. NO. 52681

DWG. NO. 41966

SCALE: FULL SHEET 1 OF 1

2

1