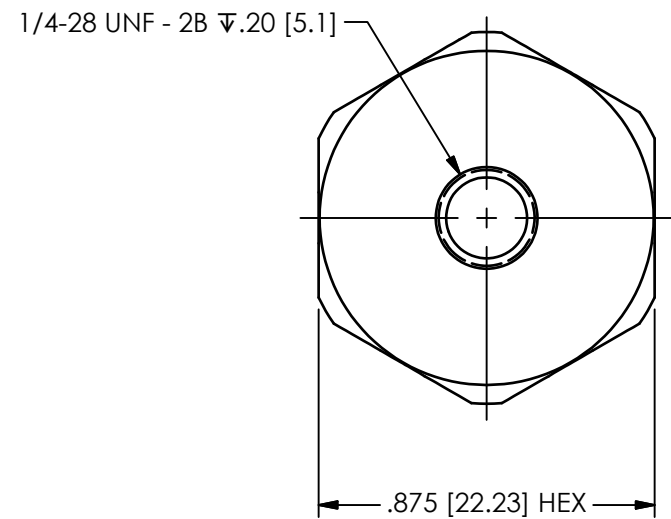
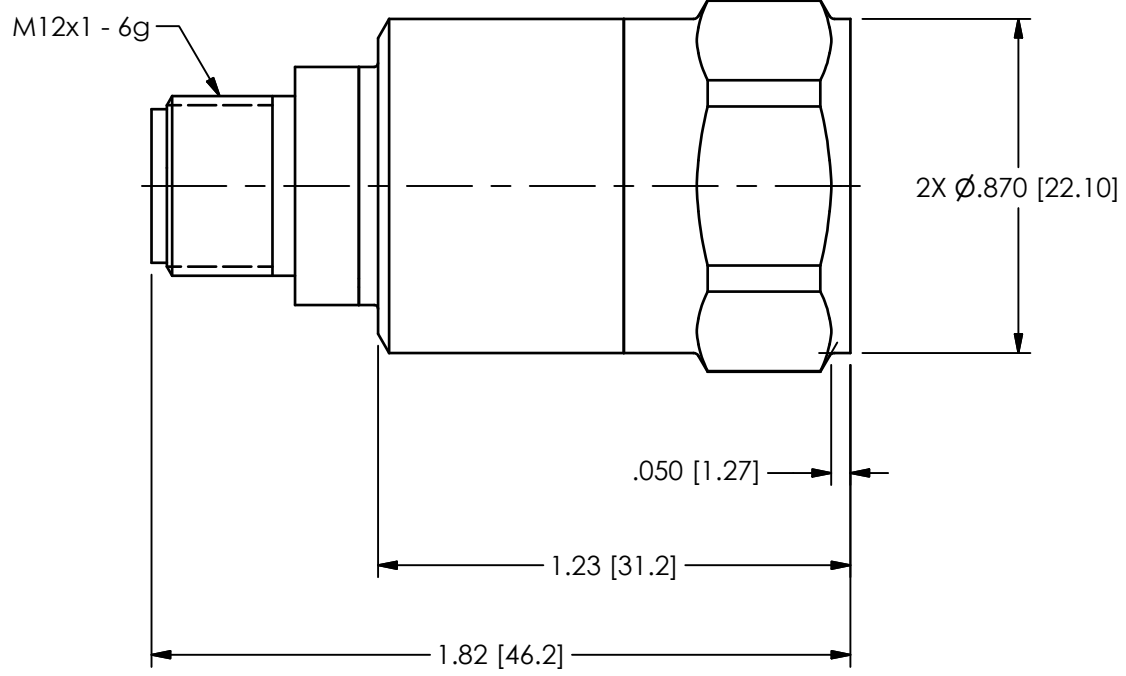
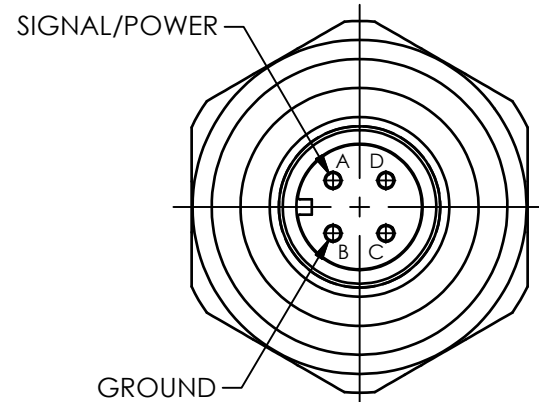


PCB Piezotronics Inc. claims proprietary rights in the information disclosed hereon. Neither it nor any reproduction thereof will be disclosed to others without the written consent of PCB Piezotronics Inc.

62201

REVISIONS

REV	DESCRIPTION	DIN
B	UPDATED HOLE CALLOUT	49819



UNLESS OTHERWISE SPECIFIED TOLERANCES ARE:		DRAWN		CHECKED		ENGINEER			
DIMENSIONS IN INCHES	DIMENSIONS IN MILLIMETERS [IN BRACKETS]	NJF	07/31/19	JDM	07/31/19	BAM	07/31/19		
DECIMALS XX ±.03 XXX ±.010	DECIMALS X ±0.8 XX ±0.25	TITLE OUTLINE DRAWING ACCELEROMETER WITH 4-PIN M12 CONNECTOR						CODE IDENT. NO. 52681	DWG. NO. 62201
ANGLES ± 2 DEGREES	ANGLES ± 2 DEGREES							SCALE: 2X	
FILLETS AND RADII .003 - .005	FILLETS AND RADII 0.07 - 0.13							PCB PIEZOTRONICS™ 3425 WALDEN AVE. DEPEW, NY 14043 (716) 684-0001 E-MAIL: sales@pcb.com	