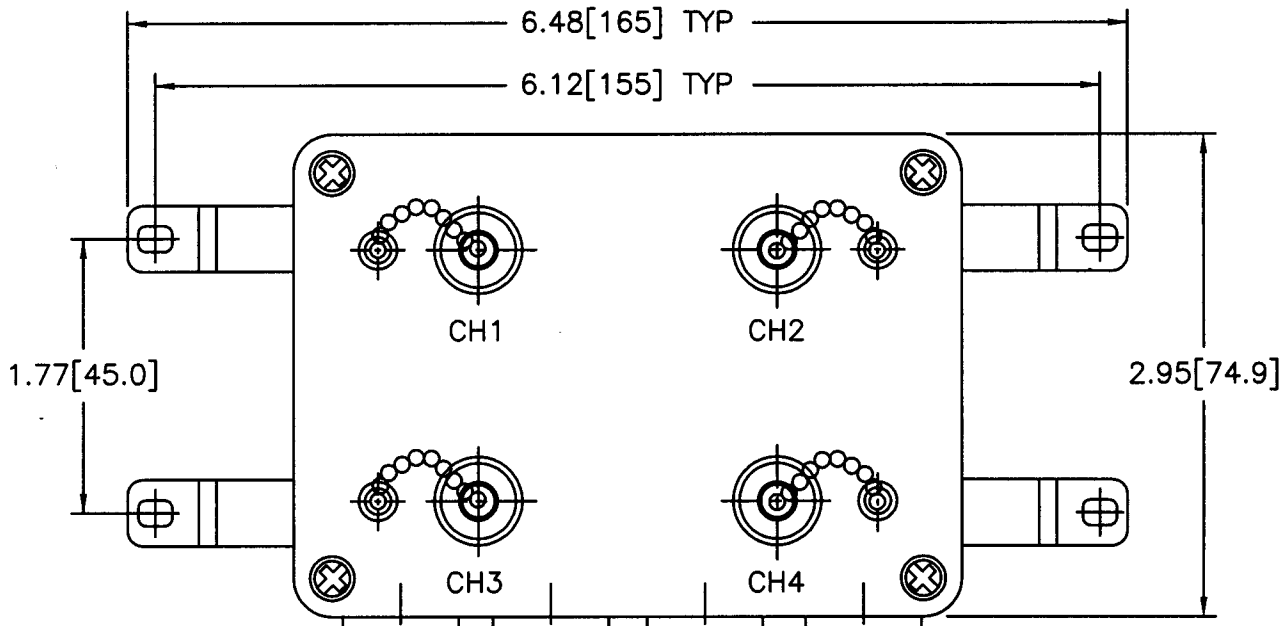


8523

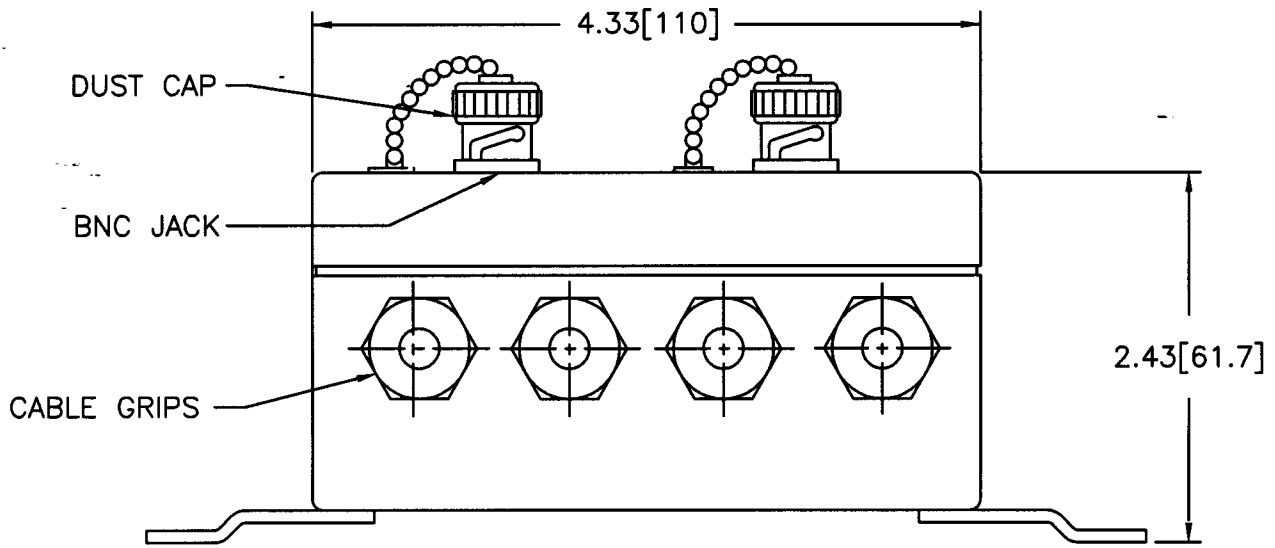
PCB Piezotronics Inc. claims proprietary rights in the information disclosed hereon. Neither it nor any reproduction thereof will be disclosed to others without written consent of PCB Piezotronics Inc.

APPLICATION		
NEXT ASS'Y	USED ON	VAR

REVISIONS				
REV	DESCRIPTION	ECN	DATE	APP'D
B	REVISED PER ECN	22244	5/27/05	<i>[Signature]</i>



CABLE ENTRY



UNLESS SPECIFIED TOLERANCES		DRAWN	DATE	MFG	DATE	PCB PIEZOTRONICS™	
DIMENSIONS IN INCHES	DIMENSIONS IN MILLIMETERS (IN PARENTHESIS)	CHK'D	DATE	ENGR	DATE	3425 WALDEN AVE. DEPEW, NY 14043	
DECIMALS XX ±.01	DECIMALS XX ±0.3	APP'D	DATE	SALES	DATE	(716) 684-0001 EMAIL: SALES@PCB.COM	
XXX ±.005	XXX ±0.13	TITLE		CODE IDENT. NO.		DWG. NO.	
ANGLES ±2 DEGREES	ANGLES ±2 DEGREES	OUTLINE DRAWING		52681		8523	
FILLETS AND RADII .003 - .005	FILLETS AND RADII (0.07 - 0.13)	4 CHANNEL BREAKOUT ENCLOSURE		SCALE: 0.8		SHEET 1 OF 1	
DD011 REV. B 03/13/98							