

2

1

PCB Piezotronics Inc. claims proprietary rights in the information disclosed herein. Neither it nor any reproduction thereof will be disclosed to others without the written consent of PCB Piezotronics Inc.

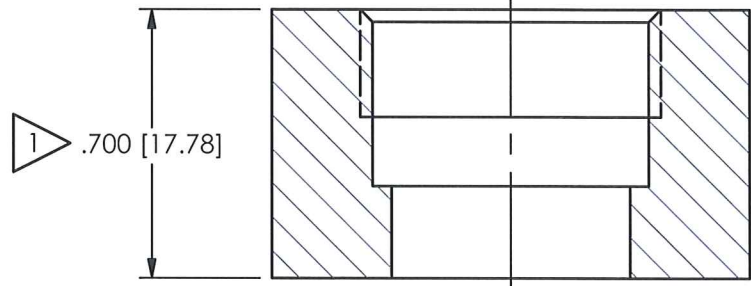
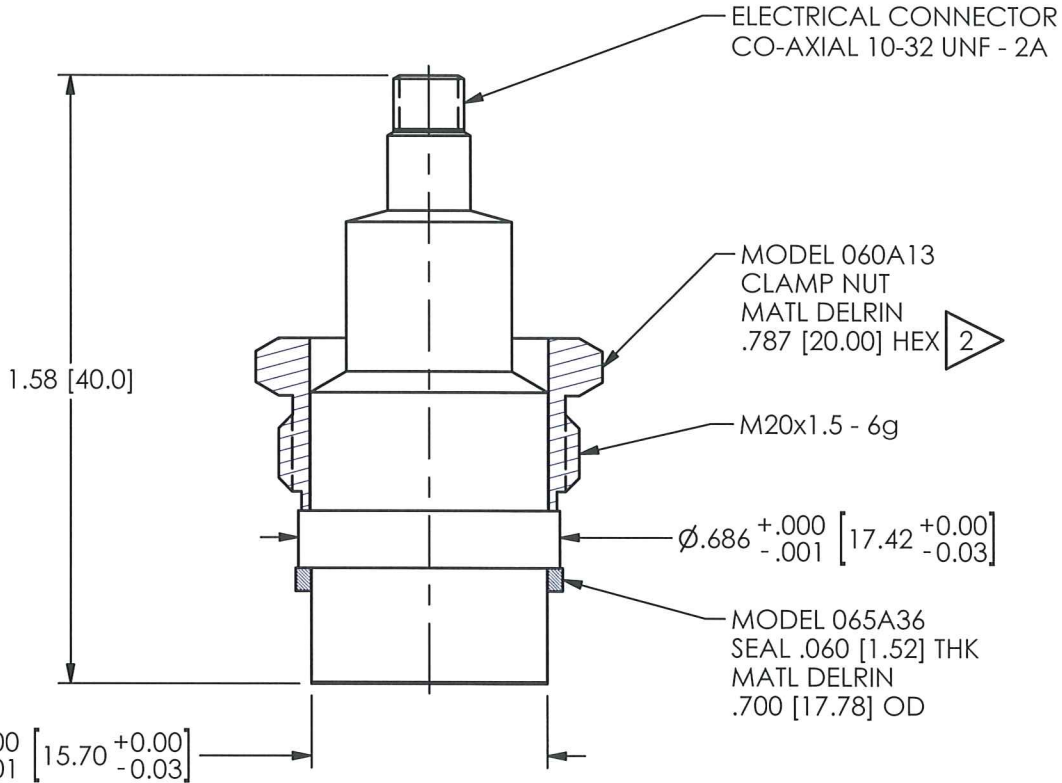
REVISIONS

REV	DESCRIPTION	DIN
A	CHANGED TITLE	36394

27455

B

B



**MOUNTING HOLE PREPERATION:**

$\phi .625$  [15.88] THRU  
 $\square \phi .718$  [18.24]  $\nabla .460$  [11.68]  
M20x1.5 - 6H  $\nabla .28$  [7.1]

A

A

2 RECOMENDED MOUNTING TORQUE ON HEX 3-5 lbs · ft [0.415-0.0691 kg/m].

1 DIMENSIONS SHOWN FOR .700 [17.78] THICK WALL. COUNTERBORE THICKER WALLS.

UNLESS OTHERWISE SPECIFIED TOLERANCES ARE:		DRAWN	CHECKED	ENGINEER	 3425 WALDEN AVE. DEPEW, NY 14043 (716) 684-0001 E-MAIL: sales@pcb.com
DIMENSIONS IN INCHES	DIMENSIONS IN MILLIMETERS [IN BRACKETS]	SMB	7/21/11	JDK	
DECIMALS XX ±.01 XXX ±.005	DECIMALS X ± 0.3 XX ± 0.13	TITLE			CODE IDENT. NO. 52681
ANGLES ± 2 DEGREES	ANGLES ± 2 DEGREES	INSTALLATION DRAWING OFF GROUND PRESSURE SENSOR			DWG. NO. 27455
FILLETS AND RADII .003 - .005	FILLETS AND RADII 0.07 - 0.13				SCALE: 2X

2

1