

11296

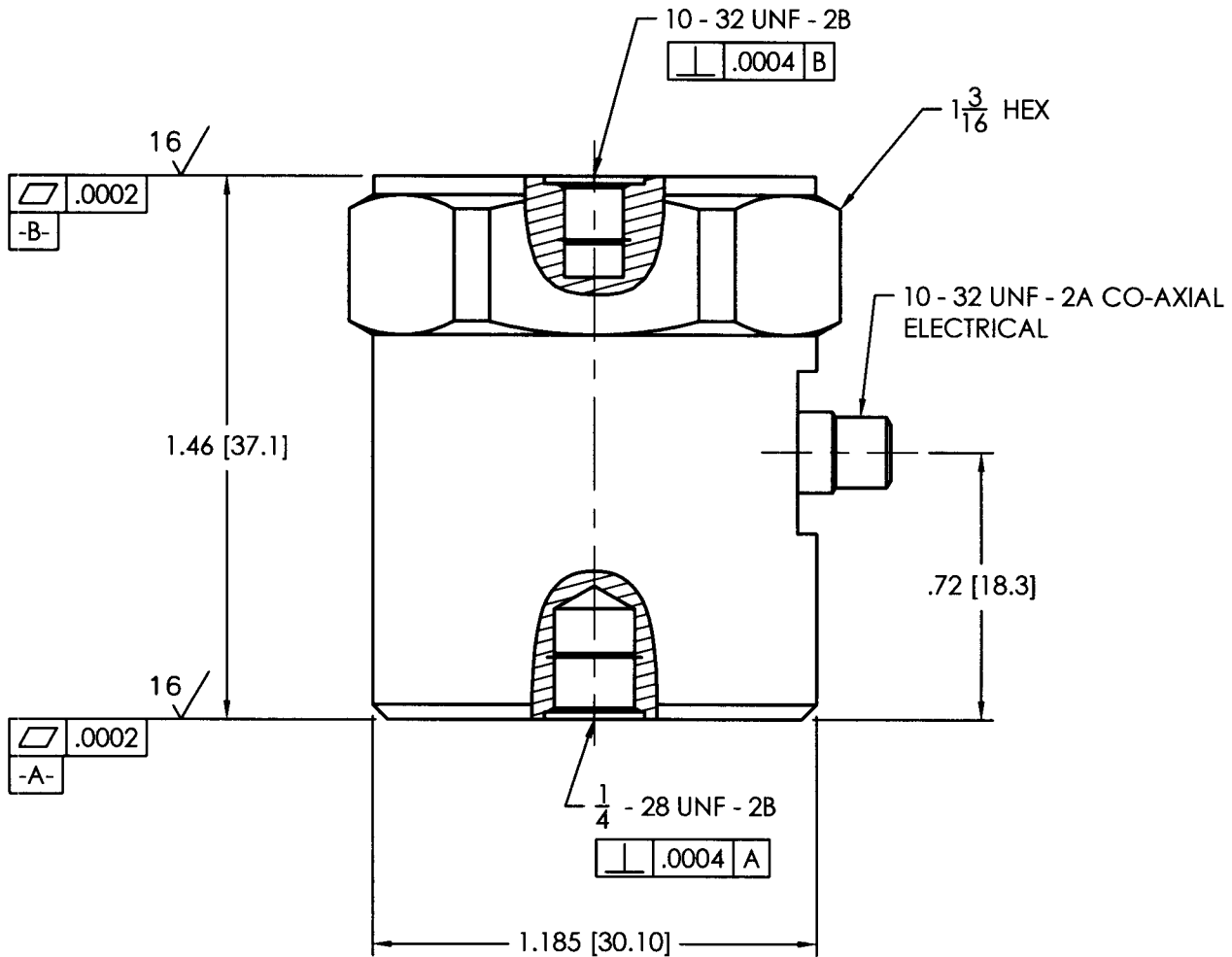
PCB Piezotronics Inc. claims proprietary rights in the information disclosed hereon. Neither it nor any reproduction thereof will be disclosed to others without written consent of PCB Piezotronics Inc.

APPLICATION

NEXT ASS'Y	USED ON	VAR

REVISIONS

REV	DESCRIPTION	ECN	DATE	APP'D
NR	RELEASED TO DRAFTING		7/9/99	DM
A	UPDATED TO MEET ISO 16063-21 SPECS	24050	4/10/06	DM 4/10



UNLESS SPECIFIED TOLERANCES

DIMENSIONS IN INCHES	DIMENSIONS IN MILLIMETERS [IN BRACKETS]
DECIMALS XX ±.03 XXX ±.010	DECIMALS X ±0.8 XX ±0.25
ANGLES ±2 DEGREES	ANGLES ±2 DEGREES
FILLETS AND RADII .003 - .005	FILLETS AND RADII [0.07 - 0.13]

DRAWN	<i>SPS</i>	4/10/06	MFG	<i>MS</i>	4/10/06
CHK'D	<i>DM</i>	4/10/06	ENGR	<i>MS</i>	4/10/06
APP'D	<i>MS</i>	4/10/06	SALES	<i>MS</i>	4/10/06

**PCB PIEZOTRONICS™**  
 3425 WALDEN AVE. DEPEW, NY 14043  
 (716) 684-0001 EMAIL: SALES@PCB.COM

CODE IDENT. NO. 52681	DWG. NO. 11296
SCALE: 2X	
SHEET 1 OF 1	

TITLE  
 OUTLINE DRAWING  
 MODEL 301A11  
 ACCELEROMETER