

12964

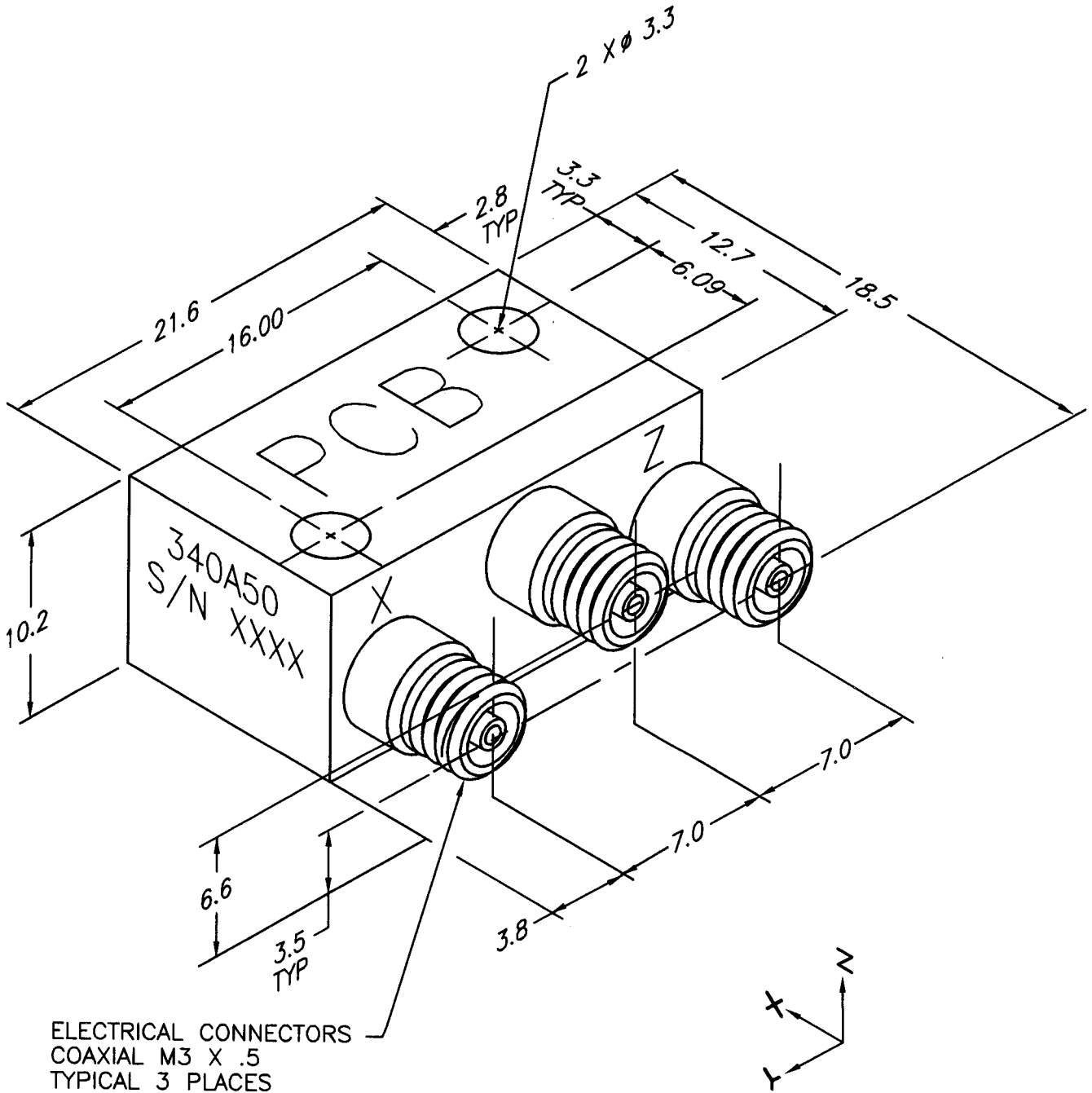
PCB Piezotronics Inc. claims proprietary rights in the information disclosed hereon. Neither it nor any reproduction thereof will be disclosed to others without written consent of PCB Piezotronics Inc.

APPLICATION

NEXT ASS'Y	USED ON	VAR

REVISIONS

REV	DESCRIPTION	ECN	DATE	APP'D
C	ADD DIMENSIONS	11846	5/12/00	
D	REVISED PER ECN	11960	6/8/00	<i>DMB/CD</i>



ELECTRICAL CONNECTORS
COAXIAL M3 X .5
TYPICAL 3 PLACES

UNLESS SPECIFIED TOLERANCES

DIMENSIONS IN MILLIMETERS

DECIMALS XX ±0.3
XXX ±0.13
ANGLES ±2 DEGREES

FILLETS AND RADI
(0.07 - 0.13)

DDO11 REV. B 03/13/98

DRAWN	<i>C. C.</i>	<i>6/8/00</i>	MFG	<i>AL</i>	<i>6/8/00</i>
CHK'D	<i>DM</i>	<i>6/8/00</i>	ENGR	<i>MP</i>	<i>6/8/00</i>
APP'D	<i>DM</i>	<i>6/8/00</i>	SALES	<i>CS</i>	<i>6/8/00</i>

TITLE
OUTLINE DRAWING
MODEL 340A50
ACCELEROMETER

PCB PIEZOTRONICS
3425 WALDEN AVE. DEPEW, NY 14043
(716) 684-0001 EMAIL: SALES@PCB.COM

CODE IDENT. NO. 52681
DWG. NO. 12964

SCALE: 3 X SHEET 1 OF 1