

PCB Piezotronics Inc. claims proprietary rights in the information disclosed hereon. Neither it nor any reproduction thereof will be disclosed to others without the written consent of PCB Piezotronics Inc.

62991

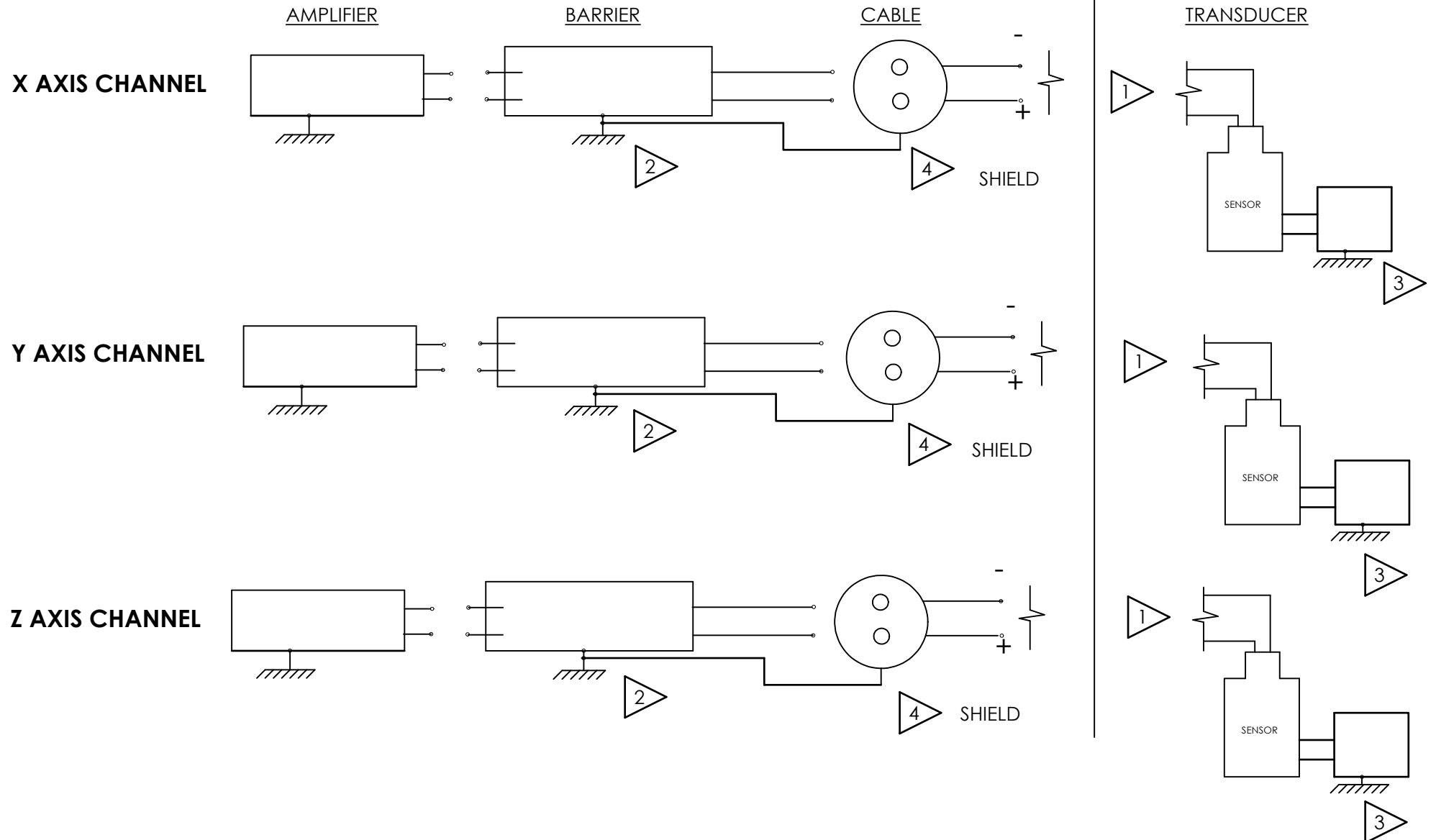
SCHEDULE DRAWING

NO MODIFICATIONS PERMITTED WITHOUT REFERENCE TO THE NOTIFIED BODY

| REVISIONS | | |
|-----------|----------------------|-------|
| REV | DESCRIPTION | DIN |
| NR | RELEASED TO DRAFTING | 48007 |

NON-HAZARDOUS / SAFE AREA

HAZARDOUS AREA
DIV 1
ZONE 0



- 4 SHIELDS TO BE EARTHED AT BARRIER END.
- 3 THE INSTALLER SHALL INSURE THAT THE TRANSDUCER MOUNTING STRUCTURE IS AT THE SAME GROUNDING POTENTIAL AS THE BARRIER GROUND. TOTAL EARTH LOOP IMPEDANCE SHALL BE LESS THAN ONE OHM.
- 2 BARRIER WILL BE MOUNTED IN AN ENCLOSURE THE SUITABILITY OF WHICH WILL BE DETERMINED BY LOCAL AUTHORITIES.
- 1 ENTITY APPLICATION:

Barrier I.S. Apparatus
 $V_{oc}/U_o < V / U_i$
 $I_{sc}/I_o < I / I_i$
 $C_o > C_i$
 $L_o > L_i$
 $P_o < P_i$ (CENELEC ONLY)

BARRIERS WITHIN THE SPECIFIED LIMITATIONS ARE PERMITTED.

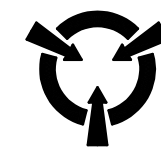
ENTITY PARAMETERS:

U_i : 28 V, I_i : 120 mA, P_i : 1 W, C_i : 750 pF, L_i : 0
 OR
 U_i : 15 V, I_i : 900 mA, P_i : 1 W, C_i : 750 pF, L_i : 0

CERTIFIED BY THE APPROPRIATE APPROVAL AUTHORITY FOR CONNECTION TO THE FOLLOWING AREAS:

ZONE 0
 Ex ia IIC T6 ... 482°C Ga

| | |
|-------------------------------|----------------------|
| UNLESS OTHERWISE SPECIFIED | |
| DIMENSIONS ARE IN INCHES | |
| DECIMALS | X ± .05 |
| | XX ± .01 |
| | XXX ± .005 |
| | XXXX ± .0005 |
| ANGLES ± 2 DEGREES | |
| FILLETS AND RADII .003 - .005 | |
| HEX DIMENSIONS ARE: | |
| | ≤ .5 + .000 / - .003 |
| | > .5 + .000 / - .005 |
| INTERNAL THREAD DEPTH MIN. | |
| REMOVE ALL BURRS | |
| SHARP = R.000 - R.003 | |



CAUTION
 ELECTROSTATIC
 DISCHARGE SENSITIVE

| DRAWN | CHECKED | ENGINEER |
|--|------------|------------|
| KRM 8/9/18 | KRM 8/9/18 | PML 2/2/18 |
| TITLE | | |
| ATEX APPROVAL 356XYYYY/MNNNZZ INTERCONNECTIONS | | |

PCB PIEZOTRONICS™
 3425 WALDEN AVE. DEPEW, NY 14043
 (716) 684-0002 E-MAIL: sales@pcb.com

| | |
|--------------------------|-------------------|
| CODE IDENT. NO. 52681 | DWG. NO. 62991 |
| SCALE: NONE | SHEET 1 OF 2 |

62991

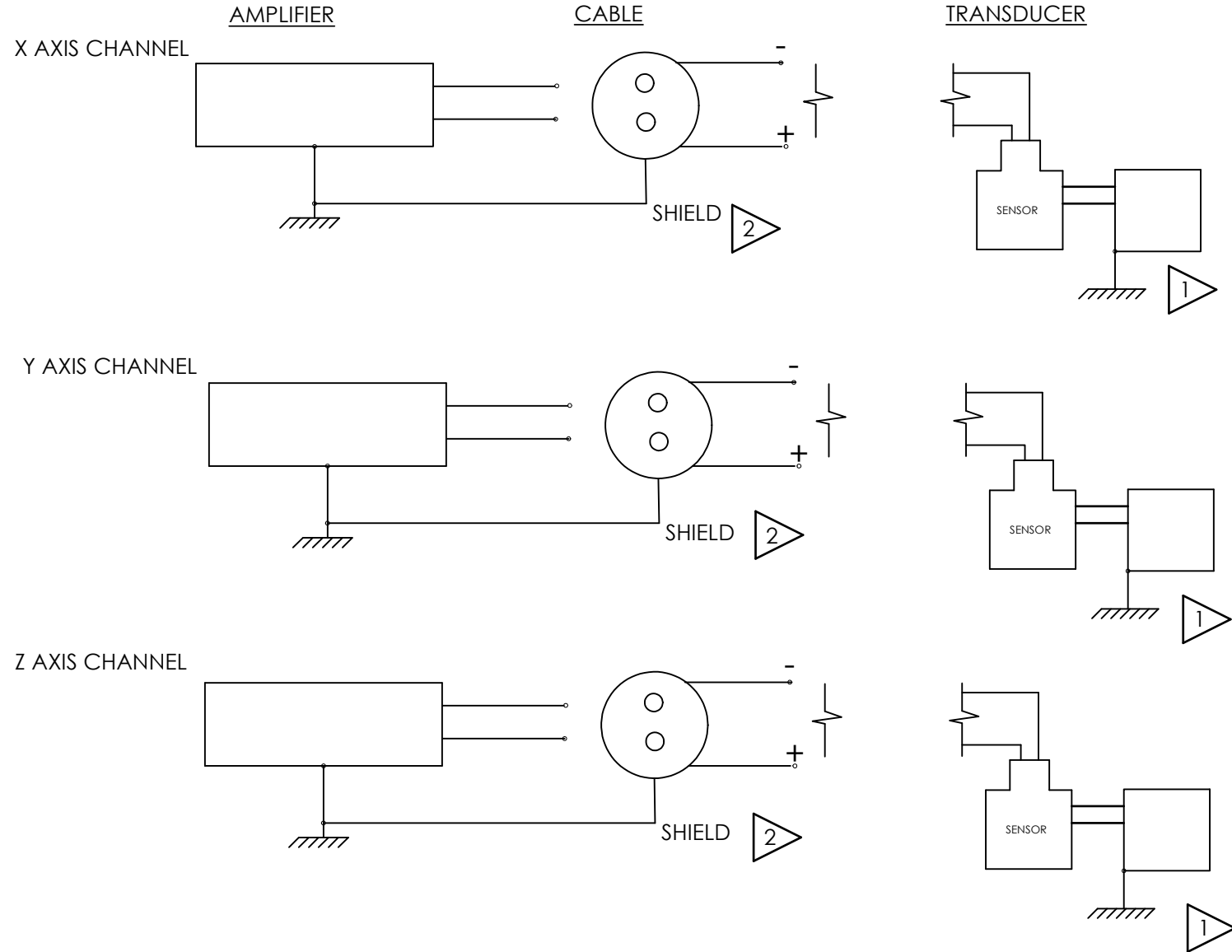
PCB Piezotronics Inc. claims proprietary rights in the information disclosed hereon. Neither it nor any reproduction thereof will be disclosed to others without the written consent of PCB Piezotronics Inc.

SCHEDULE DRAWING

NO MODIFICATIONS PERMITTED WITHOUT REFERENCE TO THE NOTIFIED BODY

| REVISIONS | | |
|-----------|---------------|-----|
| REV | DESCRIPTION | DIN |
| | -SEE SHEET 1- | |

NON-HAZARDOUS / SAFE AREA



2 SHIELDS TO BE EARTHED AT BARRIER END.

1 THE INSTALLER SHALL INSURE THAT THE TRANSDUCER MOUNTING STRUCTURE IS AT THE SAME GROUNDING POTENTIAL AS THE BARRIER GROUND. TOTAL EARTH LOOP IMPEDANCE SHALL BE LESS THAN ONE OHM.

ENTITY PARAMETERS:

U: 28 V, I: 120 mA, P: 1 W
OR
U: 15 V, I: 900 mA, P: 1 W

CERTIFIED BY THE APPROPRIATE APPROVAL AUTHORITY FOR CONNECTION TO THE FOLLOWING AREAS:

ZONE 2
ExnA IIC T6...482°C Gc

| | |
|-------------------------------|----------------------|
| UNLESS OTHERWISE SPECIFIED | |
| DIMENSIONS ARE IN INCHES | |
| DECIMALS | X ± .05 |
| | XX ± .01 |
| | XXX ± .005 |
| | XXXX ± .0005 |
| ANGLES ± 2 DEGREES | |
| FILLETS AND RADII .003 - .005 | |
| HEX DIMENSIONS ARE: | |
| | ≤ .5 + .000 / - .003 |
| | > .5 + .000 / - .005 |
| INTERNAL THREAD DEPTH MIN. | |
| REMOVE ALL BURRS | |
| SHARP = R.000 - R.003 | |



CAUTION
ELECTROSTATIC DISCHARGE SENSITIVE

| DRAWN | CHECKED | ENGINEER |
|------------------|------------|------------|
| KRM 8/9/18 | KRM 8/9/18 | PML 2/2/18 |
| TITLE | | |
| ATEX APPROVAL | | |
| 356XXXX/MNNZZ | | |
| INTERCONNECTIONS | | |

PCB PIEZOTRONICS™
3425 WALDEN AVE. DEPEW, NY 14043
(716) 684-0002 E-MAIL: sales@pcb.com

| | |
|--------------------------|-------------------|
| CODE IDENT. NO. 52681 | DWG. NO. 62991 |
| SCALE: NONE | SHEET 2 OF 2 |